

LUMAWISE ENDURANCE S CONNECTOR SYSTEM

TE Connectivity (TE) LUMAWISE Endurance S Connector System is an ecosystem of products designed for sensor and other control system applications. The original Endurance S Zhaga Book 18 street light connectors enable DALI controlled Book 18 compliant luminaires for street and area lighting. The Endurance S ecosystem has been expanded to enable additional use cases. Endurance S Sensor Ready components offer all the original Endurance S benefits with expanded electrical ratings plus alternate key combinations for protected mating.

The Endurance S ecosystem of products includes a receptacle connector as well as several base and dome combinations to house sense and control modules from the surrounding harsh environment. The IP66 rated receptacle assembly, base and dome combinations provide a sealed electrical interface and robust packaging solution. The compact design is UV resistant, appealing to the eye and can be mounted facing upward, downwards or sideways. Having keyed mating combinations brings flexibility and differentiation to the designer.

Applications

- Street and Area Lighting
- Roadway Lighting
- Commercial/Municipal Outdoor Lighting
- Outdoor Luminaires
 - Wall Packs
 - Parking Lots
 - Walkways
- City Management System
- Sensor modules i.e. motion

Electrical

- Contact rating: 5A, 250V
- Meets 10kV dielectric withstand voltage to mounting surface
- 4 pole contacts

Mechanical

- Mounting: M20X1.5 thread
- Height above luminaire: 10mm
- IP65 & IP66
- Receptacle: Ø30mm
- Gasket: Ø36.5mm
- Thread length: 18.5mm
- IK09 rated system solution

Materials

- PBT receptacle
- LSR gasket
- Polycarbonate domes
- UL UV-f1 rated for outdoor use



Benefits

- Zhaga Book 18 compliant
- Product differentiation with multiple Key combinations
- Extend product life in harsh environments with an IP66 rated product
- IK09 high impact resistant
- Flexibility in design with upwards, downwards and sideways facing mounting versatility
- Secure low torque mating of sealing cap or base and receptacle
- Pressure equalized and condensation minimized with optional vent feature

Specifications

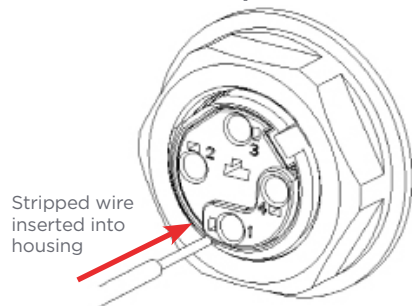
- Application Specification: [114-133074](#)
- Product Specification: [108-133073](#)
- Rated IEC61984 and UL773
- CB Certified

Product Selection Information

		Part Number	Description	Color	Mating Key
ZHAGA BOOK 18 CONNECTOR SET		2213858-1	Receptacle (includes sealing ring, washer and nut)	Black	Book 18
		2213795-1	Sealing Cap	Dark Gray	Book 18
		2213837-1	40mm Base	-	Book 18
		2213831-3	80mm Base	-	Book 18
		2213831-2	80mm Base with Vent	-	Book 18

		Part Number	Description	Color	Mating Key
MATING KEY A CONNECTOR SET		2343403-1	Receptacle (includes sealing ring, washer and nut)	Black	A
		2341474-1	Sealing Cap	Dark Gray	A
		2343405-1	40mm Base	-	A
		2-2343404-1	80mm Base	-	A
		1-2343404-1	80mm Base with Vent	-	A

Receptacle



Stripped wire inserted into housing

Wire poke-in locations (4)

Colored wire insertion markings available, contact [Product and Customer Support](#).

Zhaga Book 18 Wire Pattern

Pin #	Function
1	+24V power supply
2	Negative pole for Dali or Dali based protocol & shared ground return for 24V power supply
3	Positive pole for Dali or Dali based protocol
4	General digital I/O (greater than 7V)

User assigned wire pattern for Mating Key A

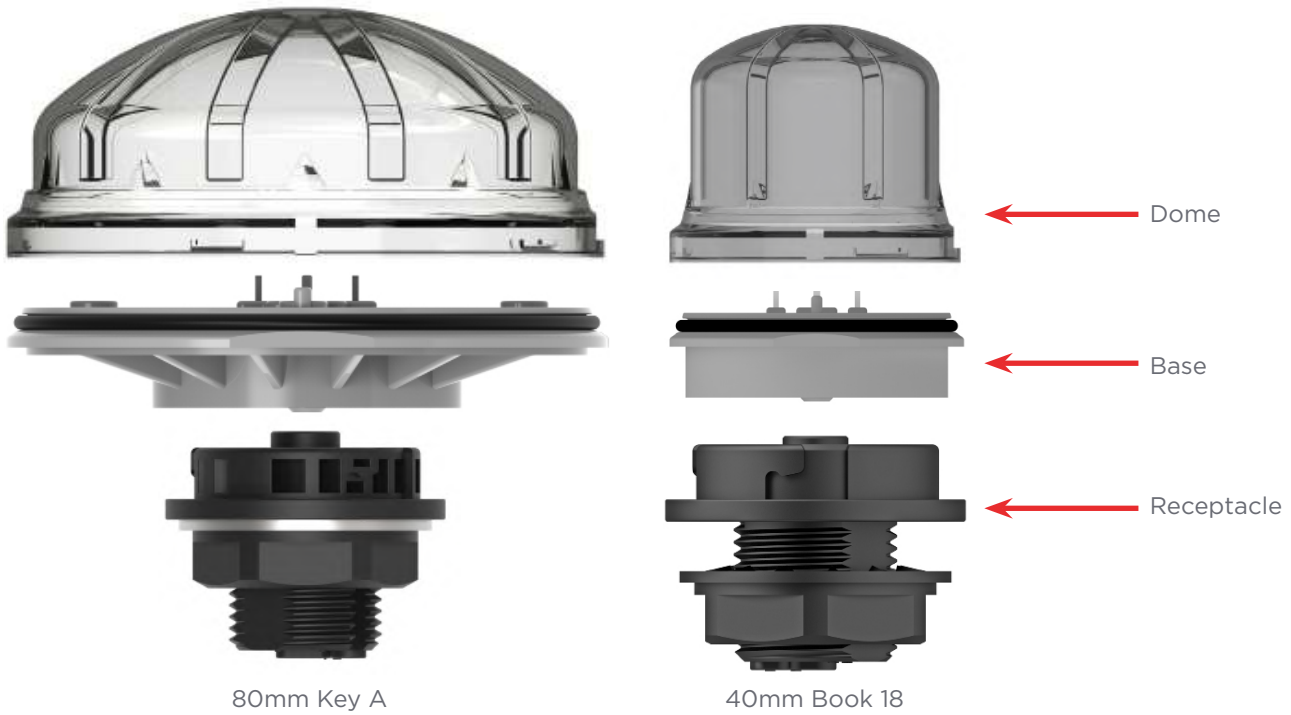
Product Selection Information

		Part Number	Description	Color	Height
40mm DOMES		2329013-1	40mm Dome	Smoke Gray	Low (24.25 mm)
		1-2329013-1	40mm Dome	Clear	Low (24.25 mm)
		2329013-2	40mm Dome	Smoke Gray	Tall (39.25 mm)
		1-2329013-2	40mm Dome	Clear	Tall (39.25 mm)
80mm DOMES		2328823-1	80mm Dome	Smoke Gray	Low (33.43 mm)
		1-2328823-1	80mm Dome	Clear	Low (33.43 mm)
		2328823-2	80mm Dome	Smoke Gray	Medium (43.43 mm)
		1-2328823-2	80mm Dome	Clear	Medium (43.43 mm)
		2328823-3	80mm Dome	Smoke Gray	Tall (58.43 mm)
		1-2328823-3	80mm Dome	Clear	Tall (58.43 mm)
OPTIONAL ACCESSORIES		1-2337216-1	80mm Skirt	Black	-
		1-2337216-2	80mm Skirt	Light Gray	-
		1-2337216-3	80mm Skirt	Dark Gray	-



Optional skirt physically closes the gap between control module and lighting fixture enhancing aesthetics and further protecting from entrance of water, dust and insects.

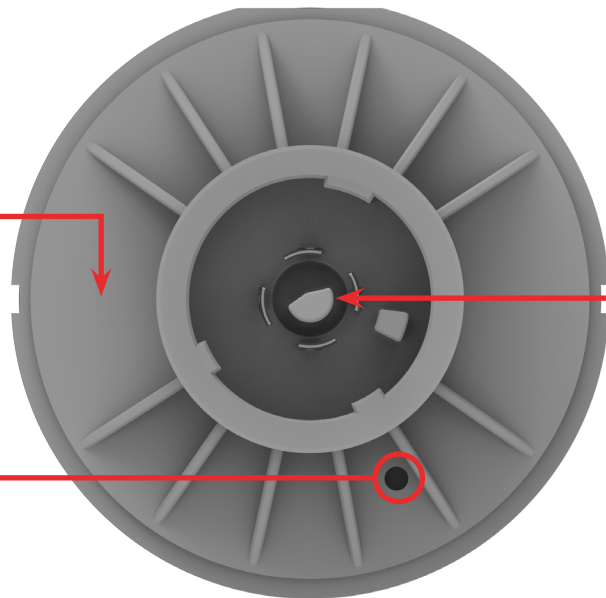
LUMAWISE ENDURANCE S CONNECTOR SYSTEM



[1-2343404-1](#)
LUMAWISE Endurance S Base with Vent
Key A 80mm

Flat surface for label placement.

An optional vent in the 80mm base assembly enables pressure optimization inside the sealed control module. The vent also helps to minimize condensation through vapor diffusion.



Keying feature of Base aligns with equivalent Keying feature on Receptacle for protected mating.

LUMAWISE Endurance S products represented on this page are shown actual size.



TE Connectivity is a participating member of the Zhaga Consortium, an industry-wide cooperation enabling the interchangeability of LED light sources and simplifying LED applications for general lighting.

© 2019 TE Connectivity. All Rights Reserved. LUMAWISE, TE, TE Connectivity, and the TE connectivity (logo) are trademarks of the TE Connectivity. Other logos, product and company names mentioned herein may be trademarks of their respective owners.

While TE has made every reasonable effort to ensure the accuracy of the information in this brochure, TE does not guarantee that it is error-free, nor does TE make any other representation, warranty or guarantee that the information is accurate, correct, reliable or current. TE reserves the right to make any adjustments to the information contained herein at any time without notice. TE expressly disclaims all implied warranties regarding the information contained herein, including, but not limited to, any implied warranties of merchantability or fitness for a particular purpose. The dimensions in this catalog are for reference purposes only and are subject to change without notice. Specifications are subject to change without notice. Consult TE for the latest dimensions and design specifications.

1-1773915-3 ML 08/2019

USA: +1 (800) 522-6752
Canada: +1 (905) 475-6222
Mexico: +52 (0) 55-1106-0800
Latin/S. America: +54 (0) 11-4733-2200
Germany: +49 (0) 6251-133-1999
UK: +44 (0) 800-267666
France: +33 (0) 1-3420-8686
The Netherlands: +31 (0) 73-6246-999
China: +86 (0) 400-820-6015