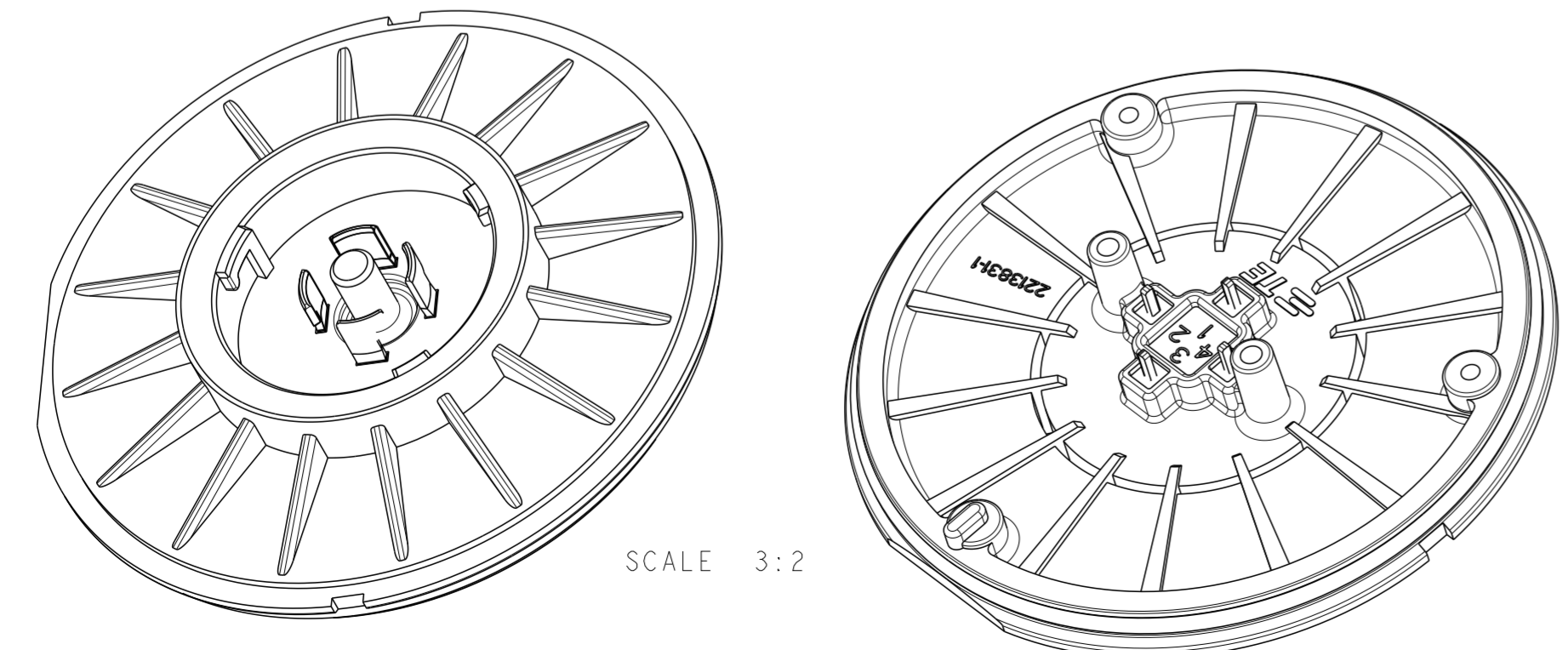
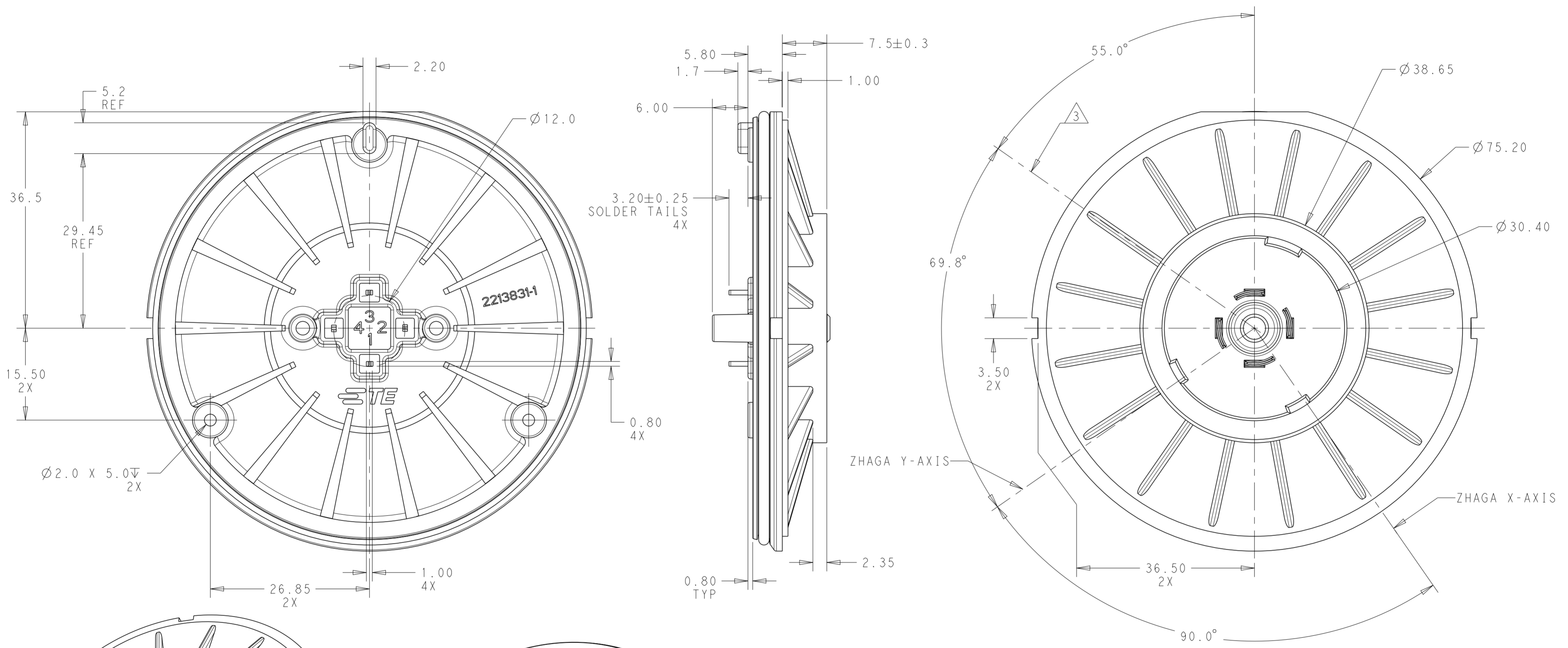


THIS DRAWING IS UNPUBLISHED. RELEASED FOR PUBLICATION 20
 © COPYRIGHT 20 BY - ALL RIGHTS RESERVED.

- NOTES:
- 1 MATERIALS AND FINISH:
 -MODULE HOUSING: PBT, COLOR: GREY
 -CONTACTS: BRASS, FINISH: Sn
 -O-RING: SILICON RUBBER
 2. MUST COMPLY WITH DIRECTIVE 2002/95/EC (ROHS)
 - 3 LOCATION OF FLAT ON RECEPTACLE (TE P/N 2213858-1)
 THREAD SECTION IN FULL MATED POSITION
 4. COMPATIBLE DOME IS 2328823-X.

REVISIONS				
P	LTR	DESCRIPTION	DATE	APVD
A		REVISED PER ECR-18-017023	05NOV2018	SR DD
A1		REVISED PER ECR-18-017999	22NOV2018	SR DD
A2		REVISED PER ECR-19-017457	12NOV2019	SB DD

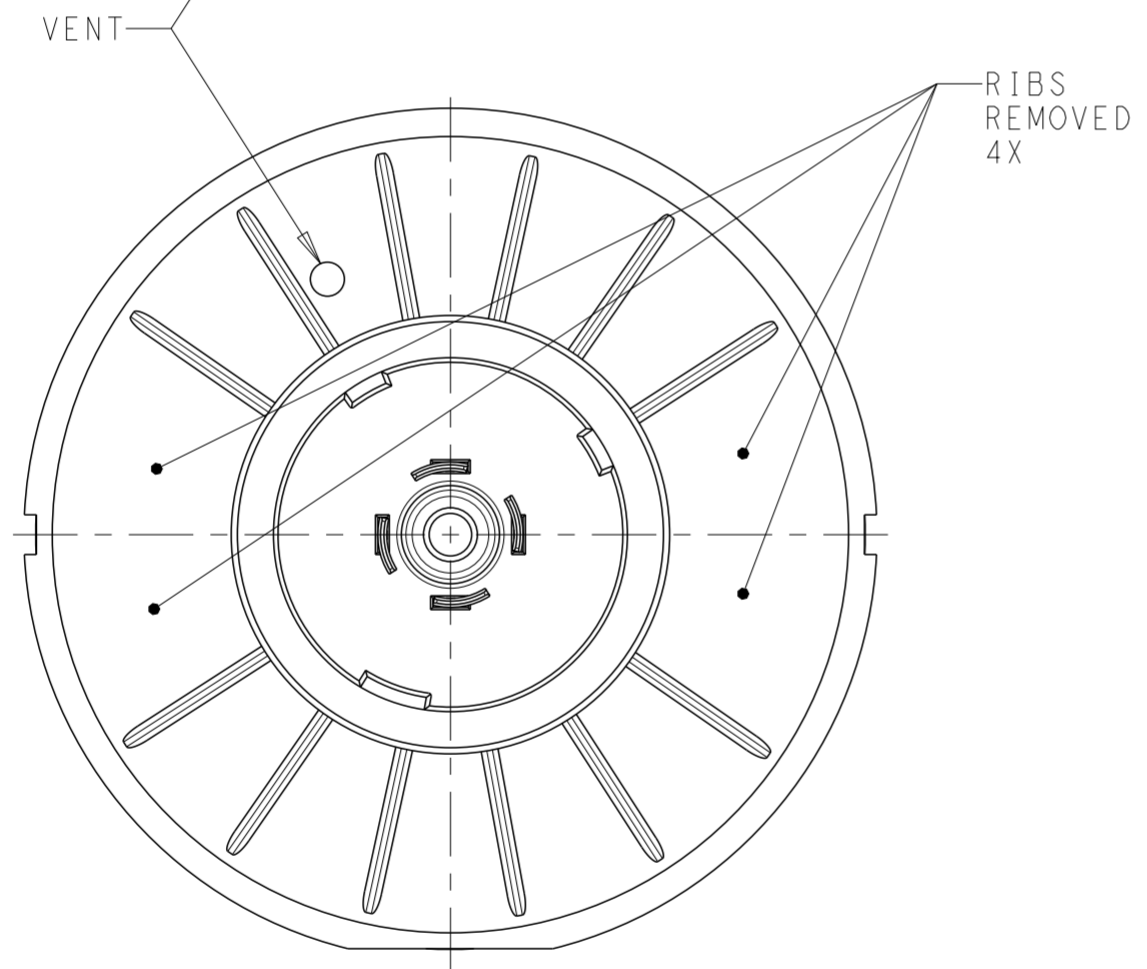
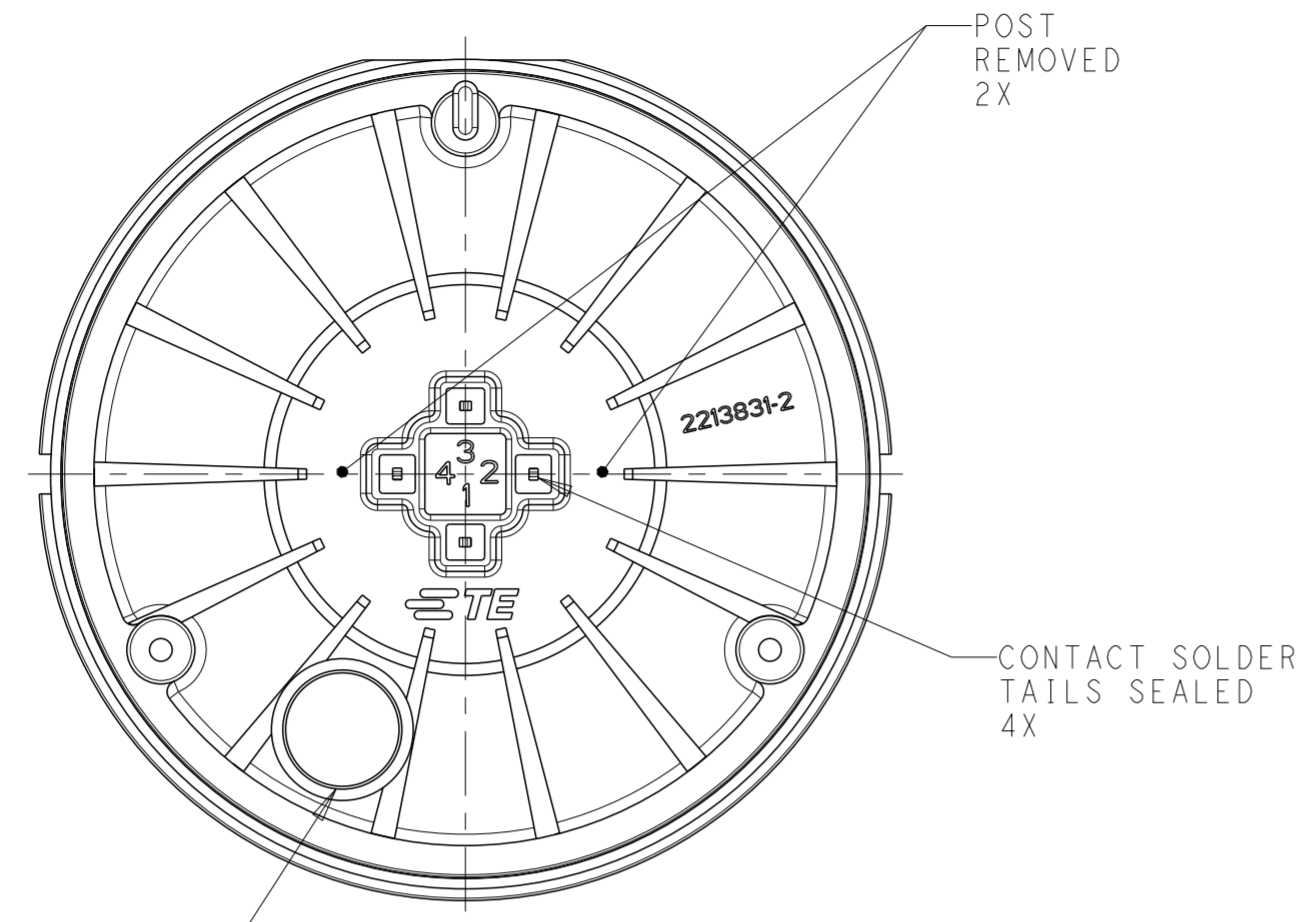


-	2213831-3
-	2213831-2
-	2213831-1
NOTES	PART NO.

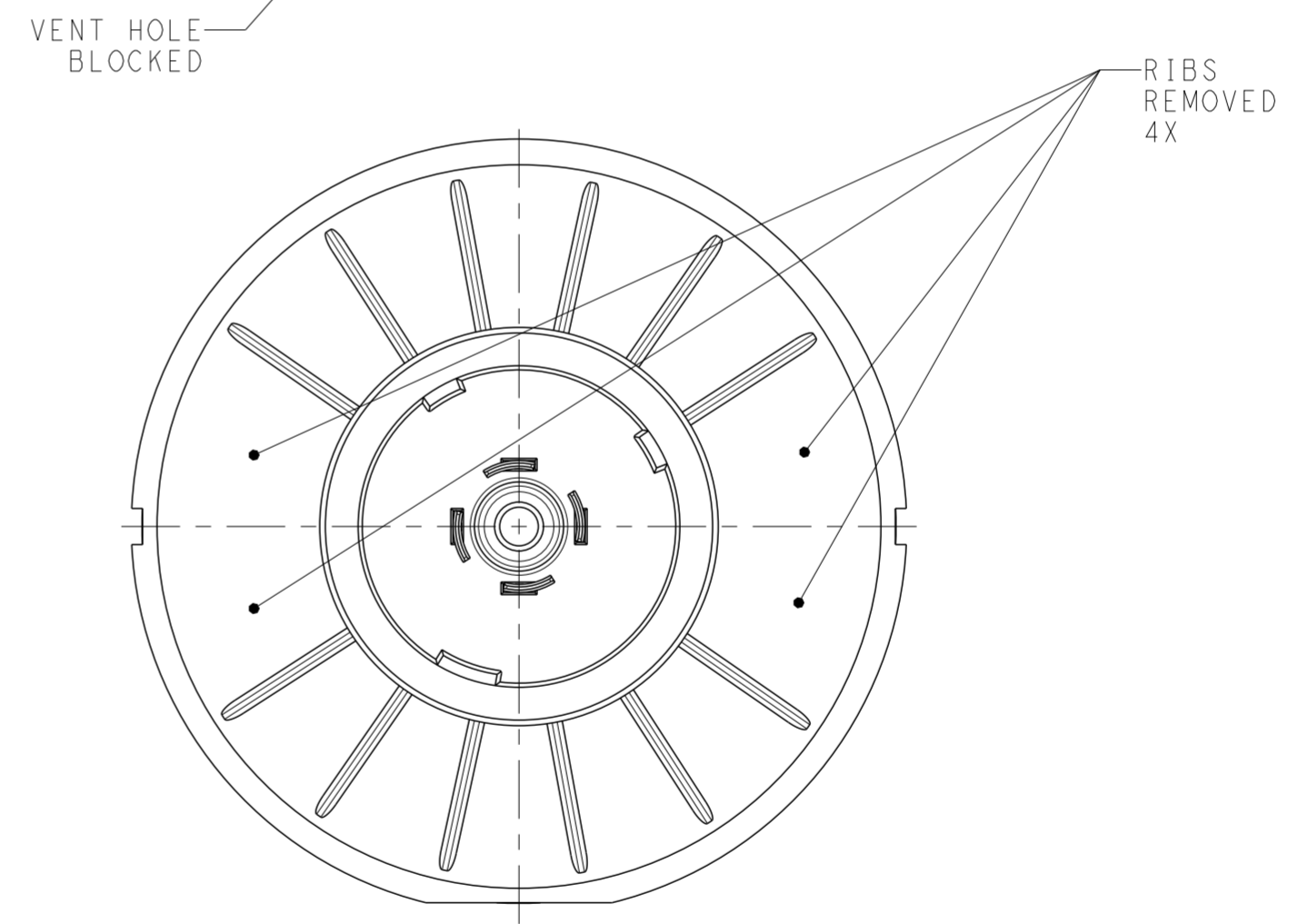
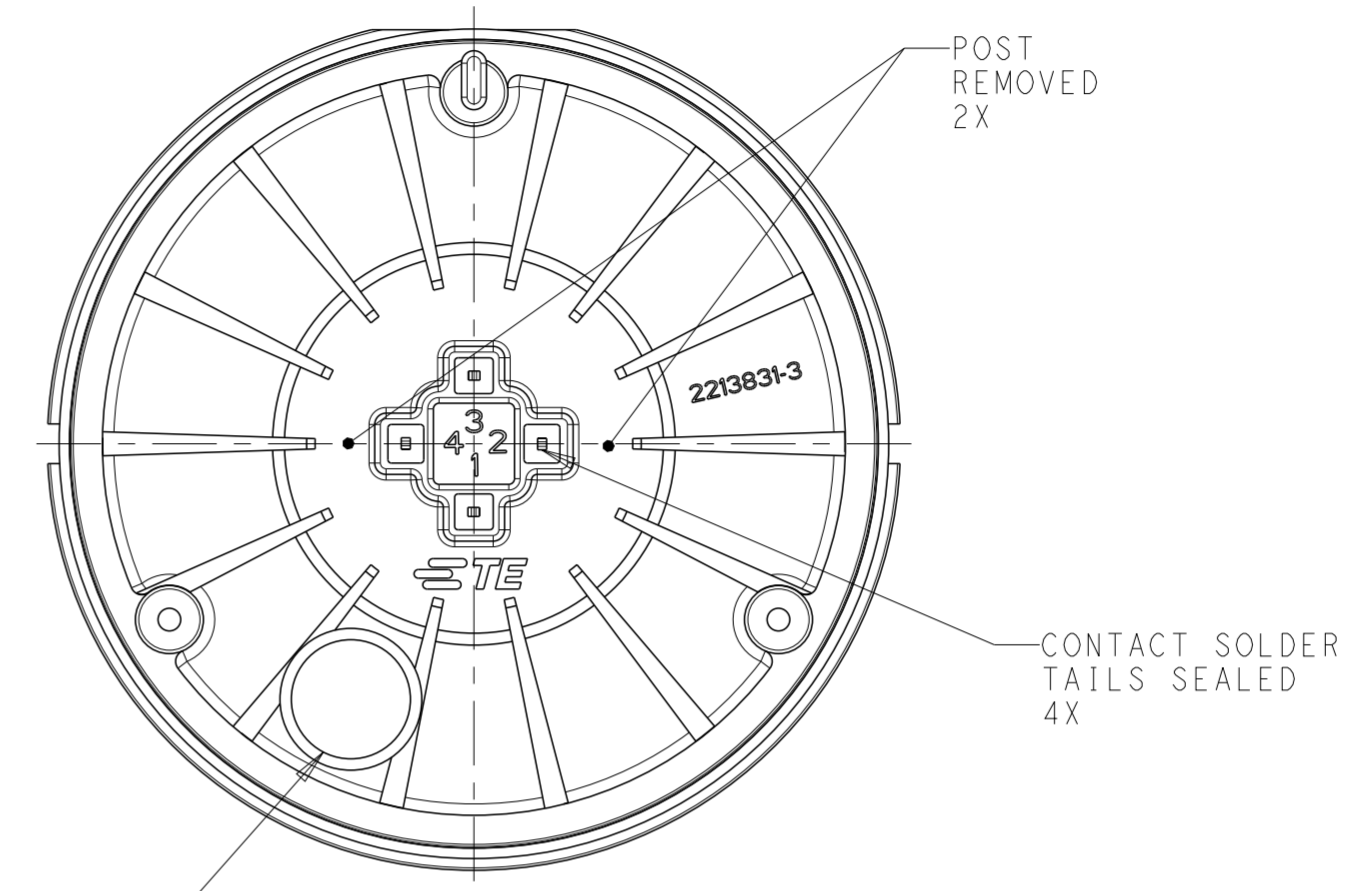
THIS DRAWING IS A CONTROLLED DOCUMENT.		DWN C. DAILY 05APR2016	TE Connectivity	
		CHK E. HOWARD 05APR2016		
DIMENSIONS:	TOLERANCES UNLESS OTHERWISE SPECIFIED:	APVD	NAME	
mm	0 PLC ± 1 PLC ±0.2 2 PLC ±0.15 3 PLC ± 4 PLC ±	-	MODULE BASE ASSEMBLY, LUMAWISE ENDURANCE S 80mm DIAMETER	
	ANGLES ±1	PRODUCT SPEC	SIZE	CAGE CODE
MATERIAL	FINISH	108-133073	A2	-
SEE NOTES	-	APPLICATION SPEC	DRAWING NO	
		114-133074	G-2213831	
		WEIGHT	SCALE	SHEET
		-	2:1	1 OF 3
		CUSTOMER DRAWING	REV	A2

THIS DRAWING IS UNPUBLISHED. RELEASED FOR PUBLICATION 20
 © COPYRIGHT 20 BY - ALL RIGHTS RESERVED.

REVISIONS				
P	LTR	DESCRIPTION	DATE	APVD
-		SEE SHEET 1	-	-



2213831-2 SHOWN
 SAME AS
 2213831-1 EXCEPT AS SHOWN

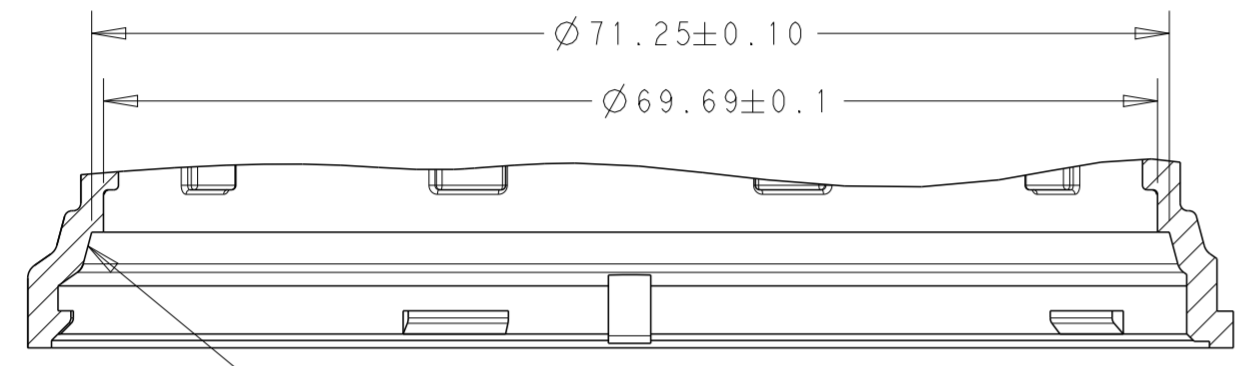
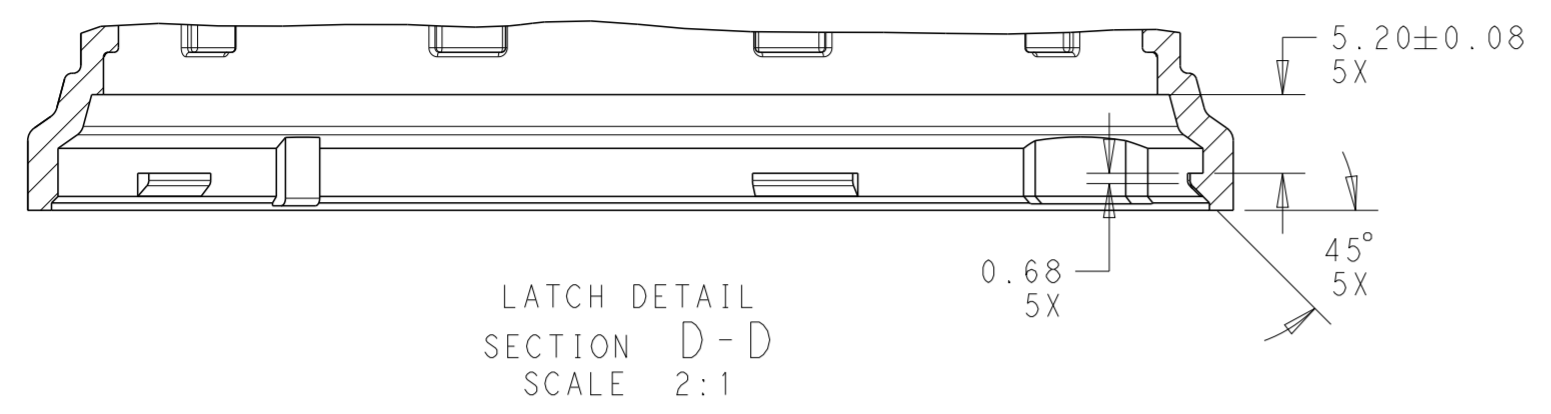


2213831-3 SHOWN
 SAME AS
 2213831-1 EXCEPT AS SHOWN

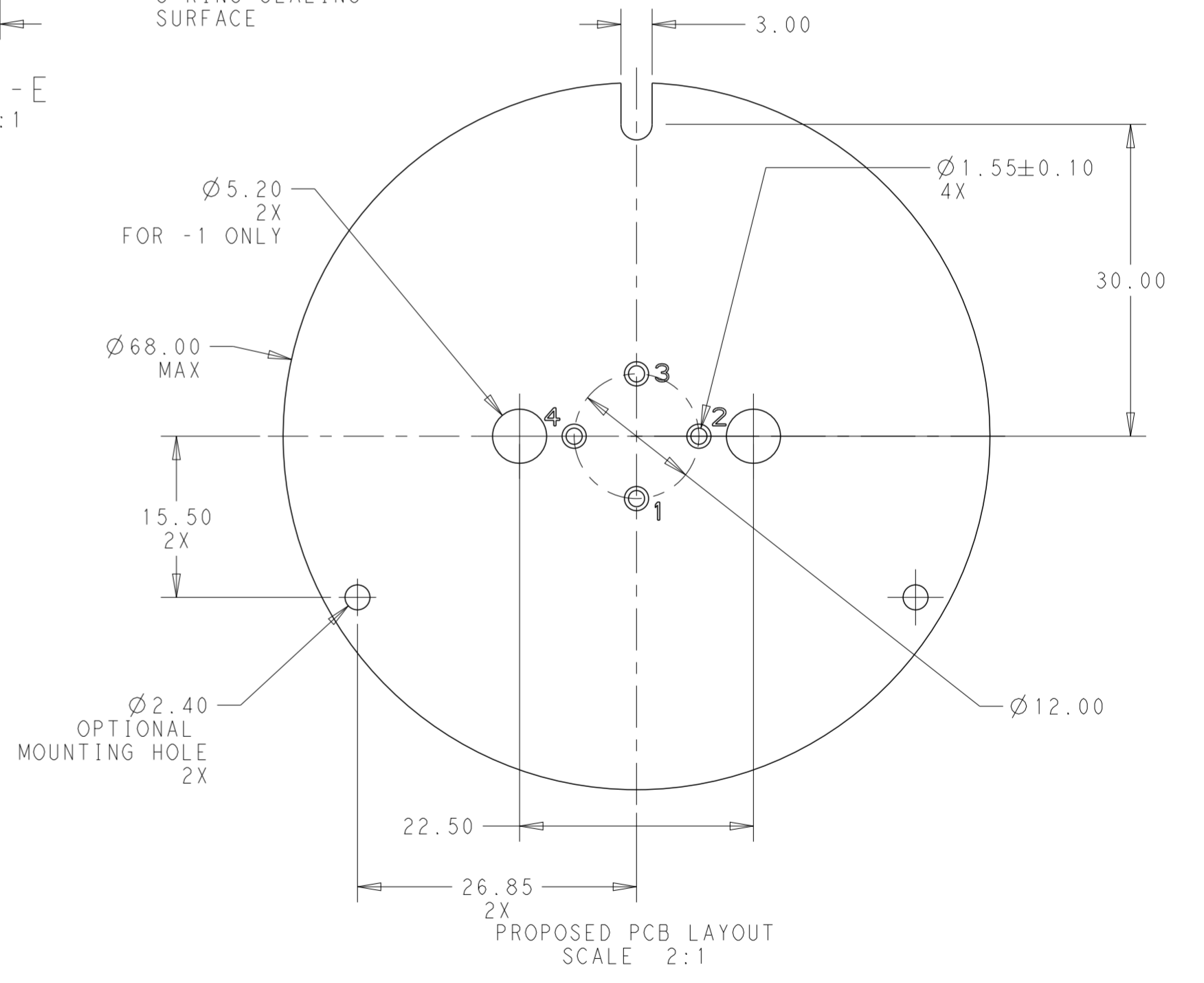
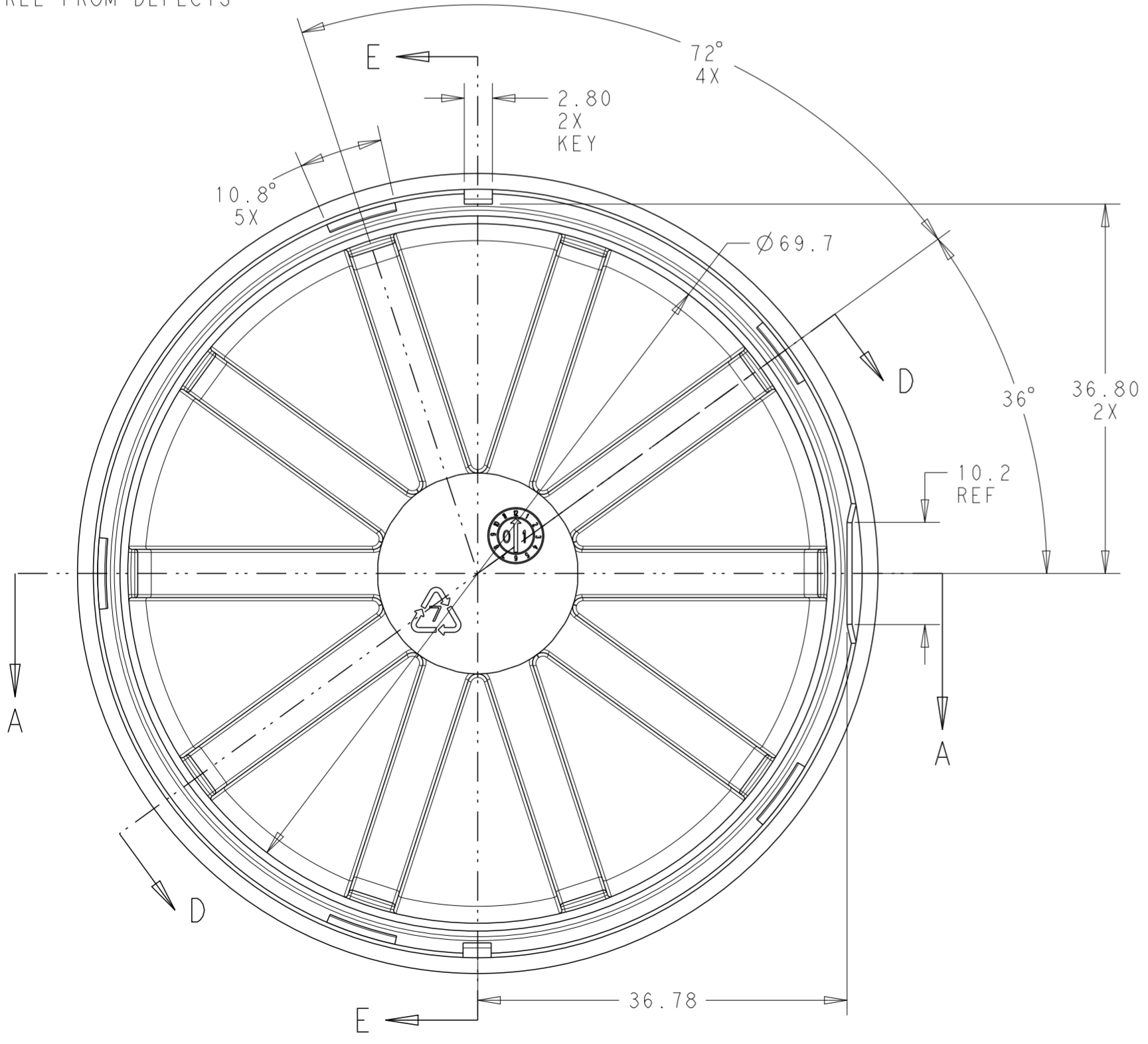
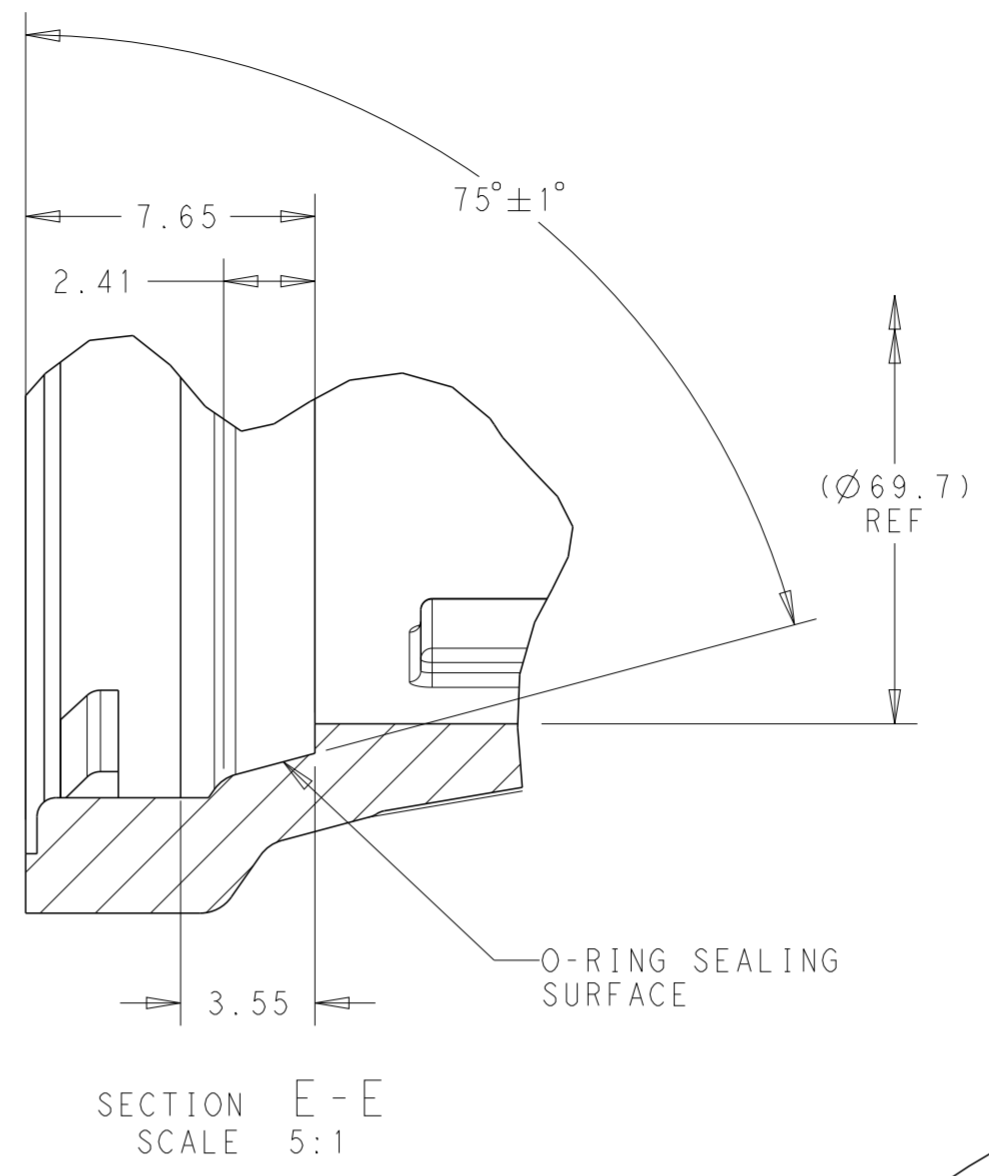
THIS DRAWING IS A CONTROLLED DOCUMENT.		DWN C. DAILY 05APR2016	STE TE Connectivity	
		CHK E. HOWARD 05APR2016		
DIMENSIONS:	TOLERANCES UNLESS OTHERWISE SPECIFIED:	APVD -	NAME MODULE BASE ASSEMBLY, LUMAWISE ENDURANCE S 80mm DIAMETER	
mm	0 PLC ± 1 PLC ±0.2 2 PLC ±0.15 3 PLC ± 4 PLC ±	PRODUCT SPEC 108-133073	SIZE A2	CAGE CODE -
MATERIAL - SEE NOTES	ANGLES ±1 FINISH -	APPLICATION SPEC 114-133074	DRAWING NO G-2213831	RESTRICTED TO -
		WEIGHT -	SCALE 2:1	SHEET 2 OF 3
		CUSTOMER DRAWING	REV A2	

THIS DRAWING IS UNPUBLISHED. RELEASED FOR PUBLICATION 20
 © COPYRIGHT 20 BY - ALL RIGHTS RESERVED.

REVISIONS				
P	LTR	DESCRIPTION	DATE	APVD
-	-	SEE SHEET 1	-	-



O-RING SEALING SURFACE; MUST BE SMOOTH AND FREE FROM DEFECTS



THIS DRAWING IS A CONTROLLED DOCUMENT.		DWN C. DAILY 05APR2016	TE Connectivity	
		CHK E. HOWARD 05APR2016		
DIMENSIONS: mm	TOLERANCES UNLESS OTHERWISE SPECIFIED:	APVD -	NAME MODULE BASE ASSEMBLY, LUMAWISE ENDURANCE S 80mm DIAMETER	
0 PLC ±	1 PLC ±0.2	PRODUCT SPEC 108-133073	SIZE A2	CAGE CODE -
2 PLC ±0.15	3 PLC ±	APPLICATION SPEC 114-133074	DRAWING NO C-2213831	RESTRICTED TO -
4 PLC ±	ANGLES ±1	WEIGHT -	SCALE 2:1	SHEET 3 OF 3
MATERIAL -	FINISH -	CUSTOMER DRAWING	REV A2	
SEE NOTES				