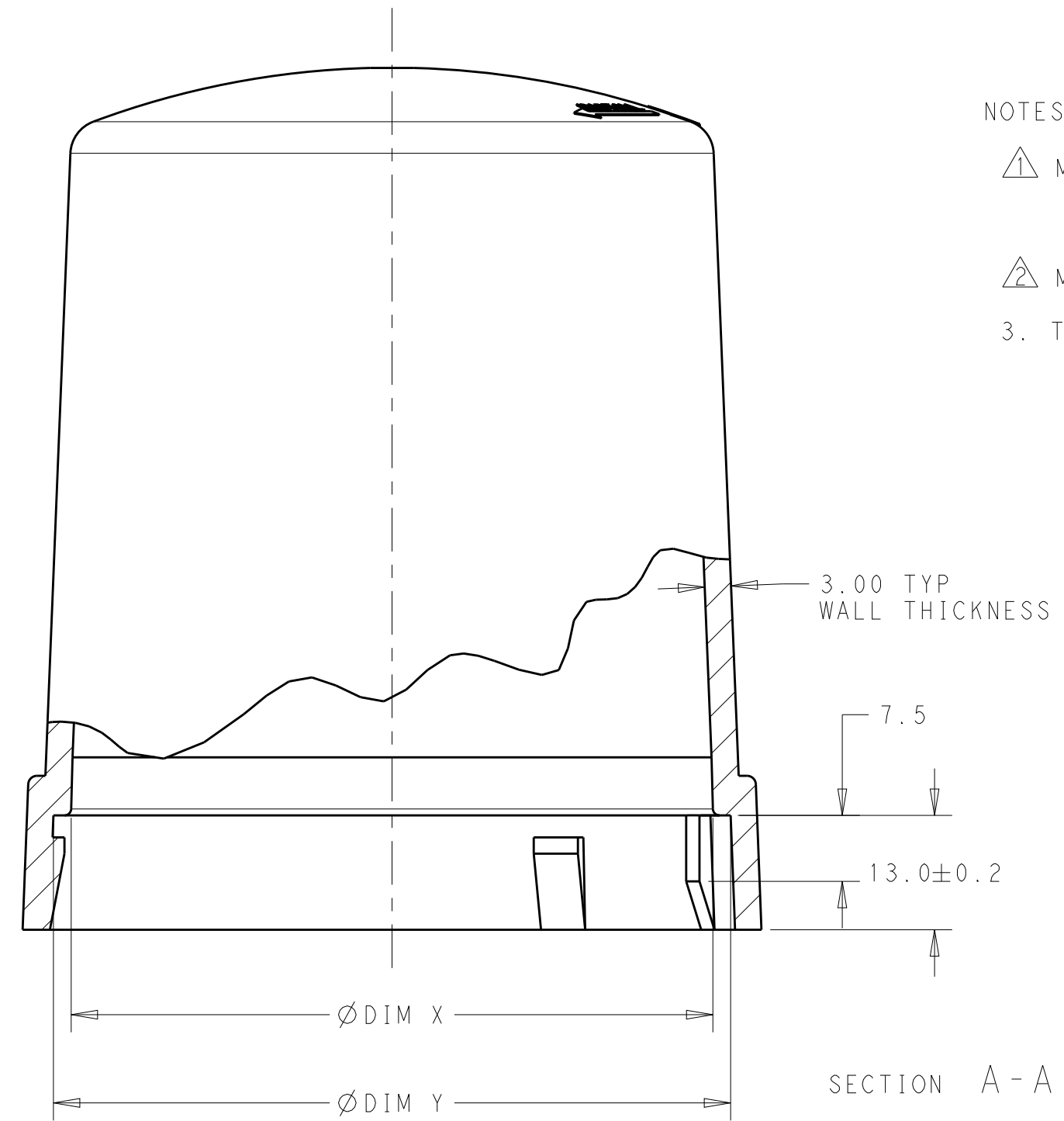
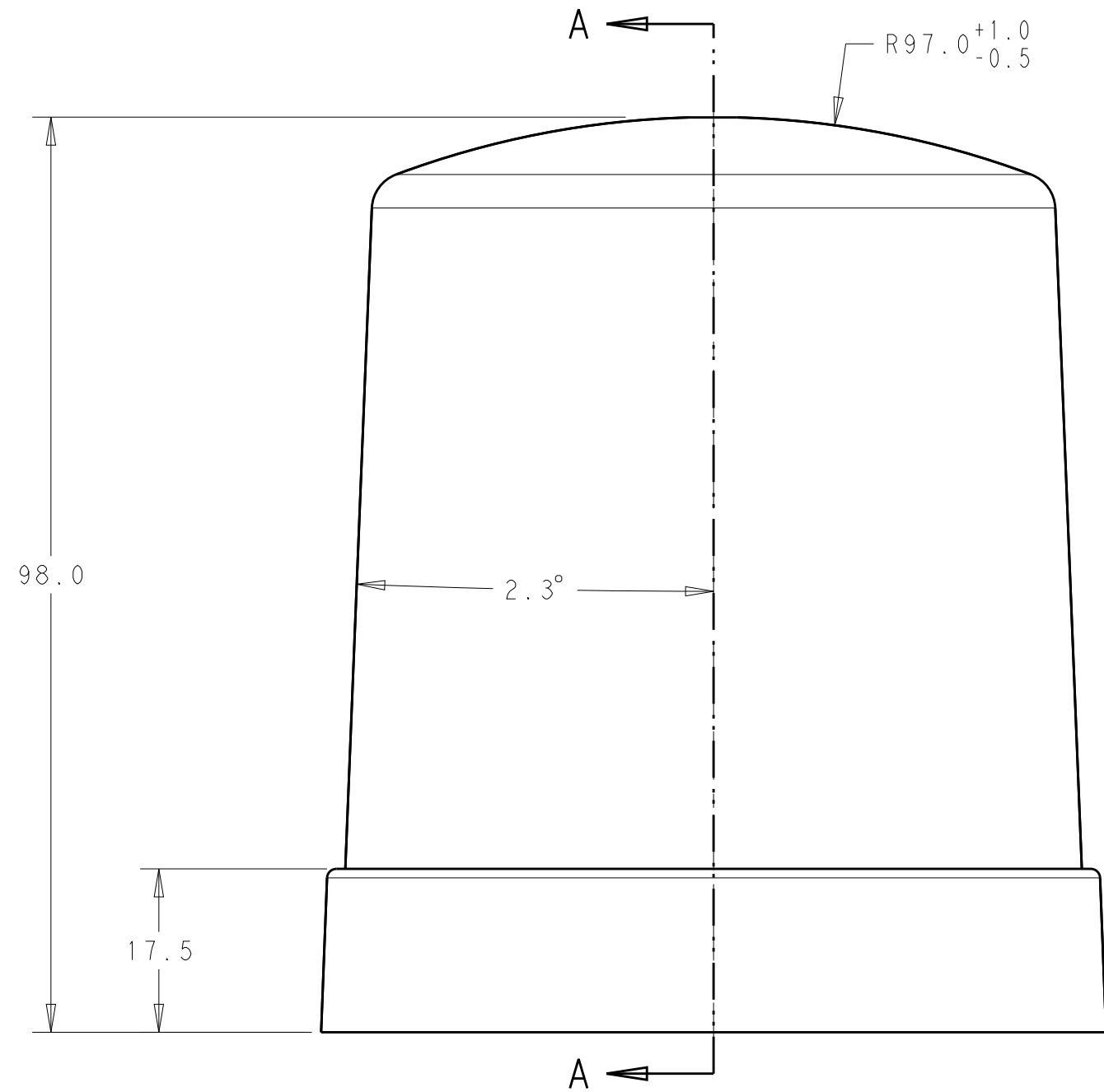
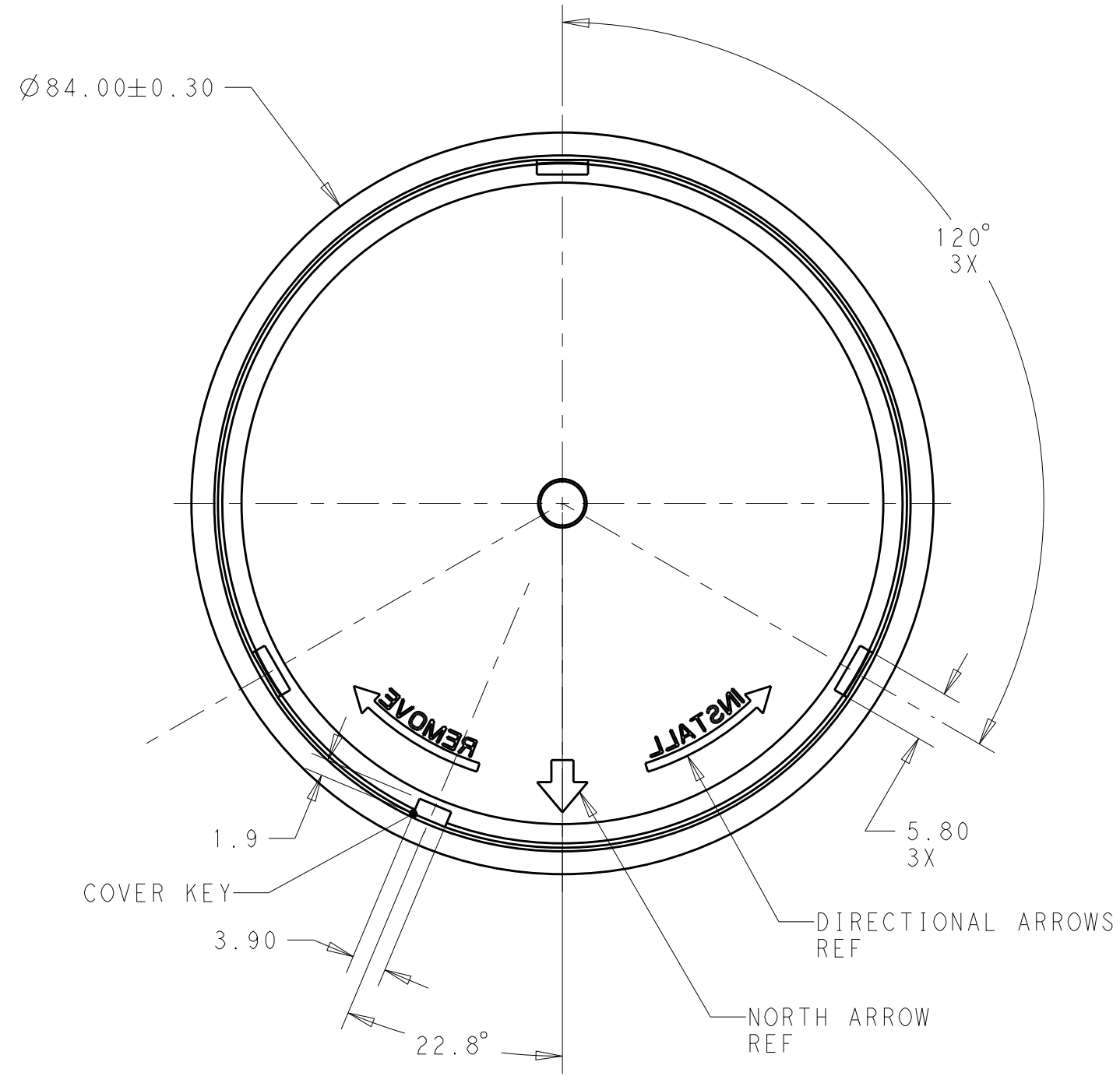
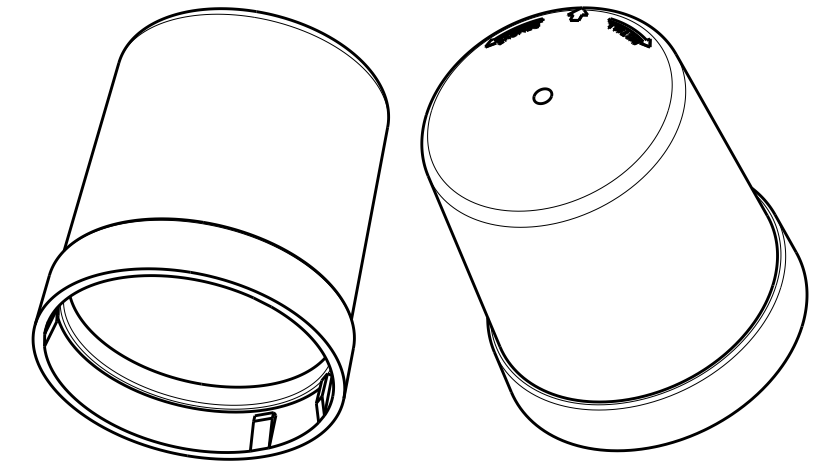
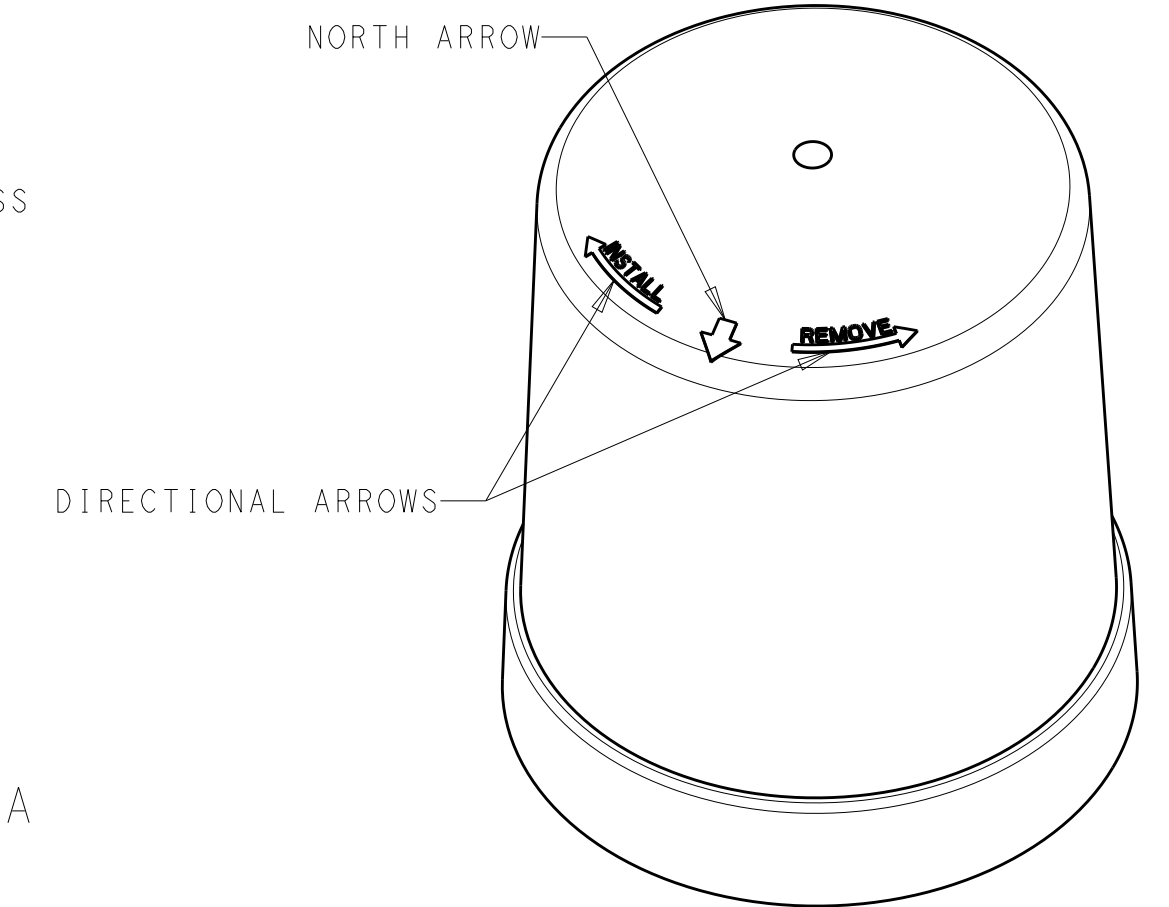


THIS DRAWING IS UNPUBLISHED. RELEASED FOR PUBLICATION 20
 © COPYRIGHT 20 BY - ALL RIGHTS RESERVED.

REVISIONS				
P	LTR	DESCRIPTION	DATE	APVD
B1		REVISED PER ECR-19-006849	01MAY2019	JS DD
B2		REVISED PER ECR-19-016909	04NOV2019	SB DD



- NOTES:
- 1 MATERIALS:
HOUSING: POLYCARBONATE, UV 5VA RATED
COLOR: SEE TABLE
 - 2 MATING BASE TE P/N: 2213730-X
 - 3. THIS PRODUCT HAS NOT COMPLETED VALIDATION TESTING.



78%	TRANSPARENT CLEAR	Ø 77.0	Ø 73.0	1-2213748-1
26%	TRANSLUCENT GRAY	Ø 77.0	Ø 73.0	2213748-2
24%	TRANSPARENT SMOKE	Ø 77.0	Ø 73.0	2213748-1
APPROX LIGHT TRANSMISSION		COLOR	DIM Y	DIM X
PART NO.				
THIS DRAWING IS A CONTROLLED DOCUMENT.		DWN C_DAILY 30OCT2015	STE TE Connectivity	
		CHK E_HOWARD 30OCT2015		
DIMENSIONS:		APVD -		
TOLERANCES UNLESS OTHERWISE SPECIFIED:		NAME COVER, LIGHT CONTROLLER		
mm	0 PLC ±	PRODUCT SPEC 108-32125		
	1 PLC ±0.2	APPLICATION SPEC 114-32159		
	2 PLC ±0.13	SIZE A2		
	3 PLC ±	CAGE CODE -		
	4 PLC ±	DRAWING NO C-2213748		
	ANGLES ±	RESTRICTED TO -		
	FINISH ±3°	SCALE 3:2 SHEET 1 OF 1 REV B2		
MATERIAL -	FINISH -	CUSTOMER DRAWING		