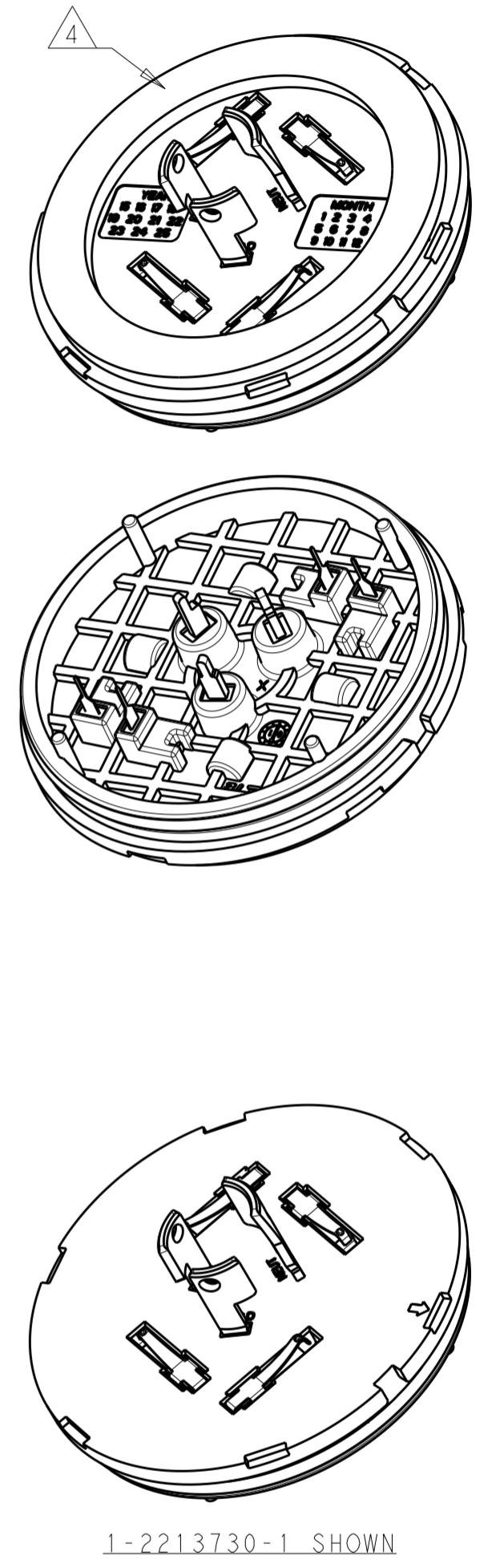
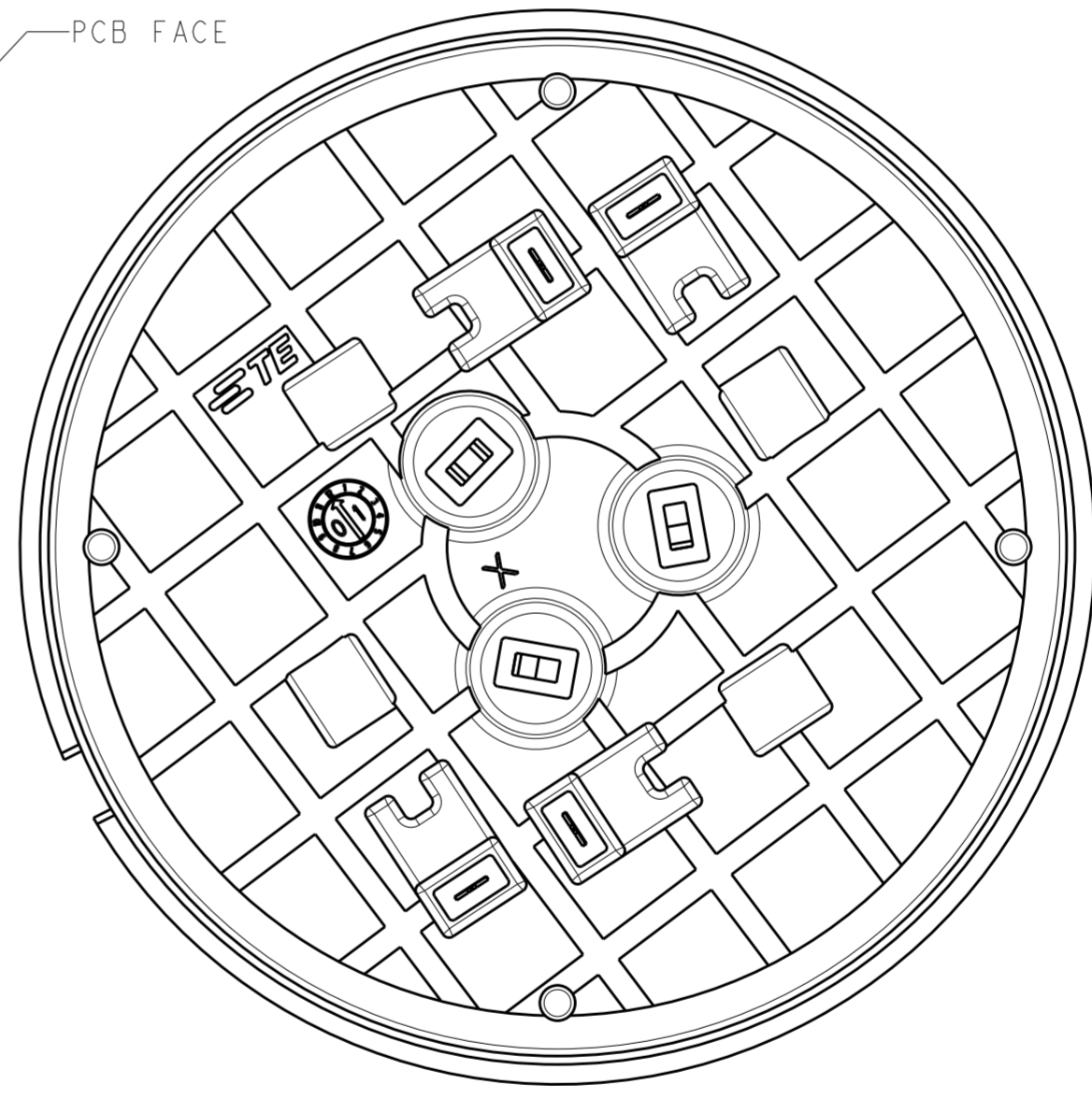
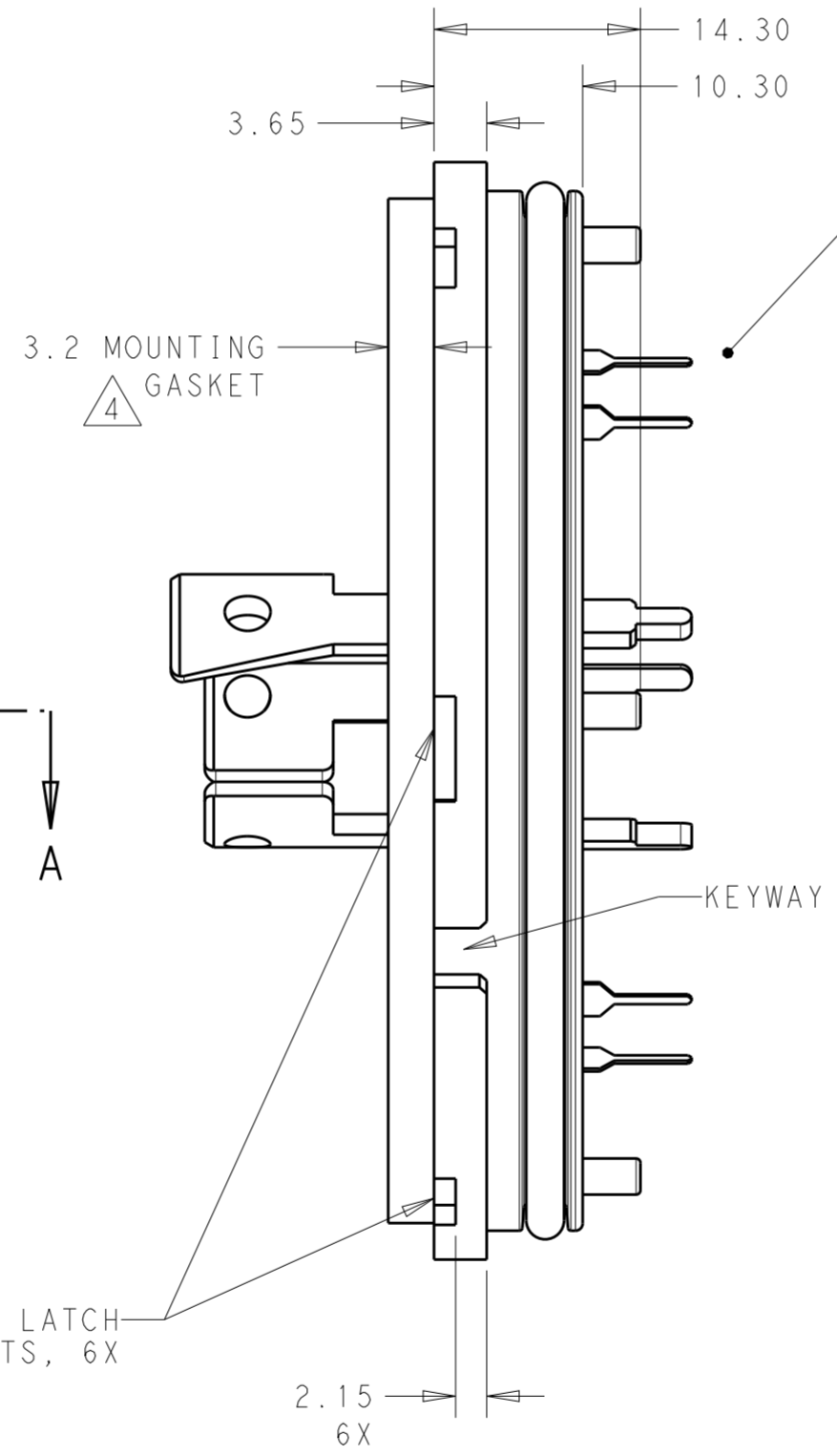
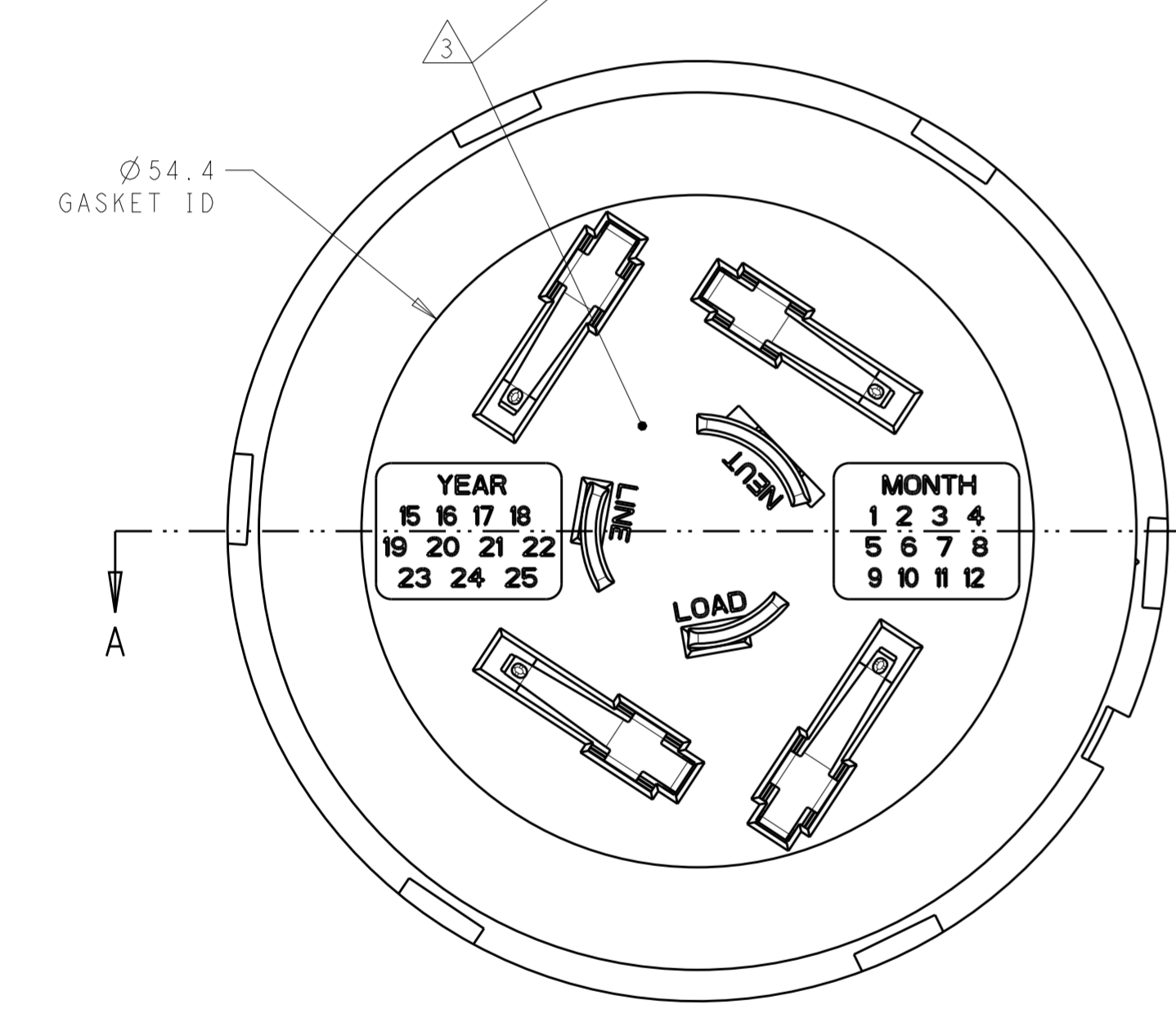
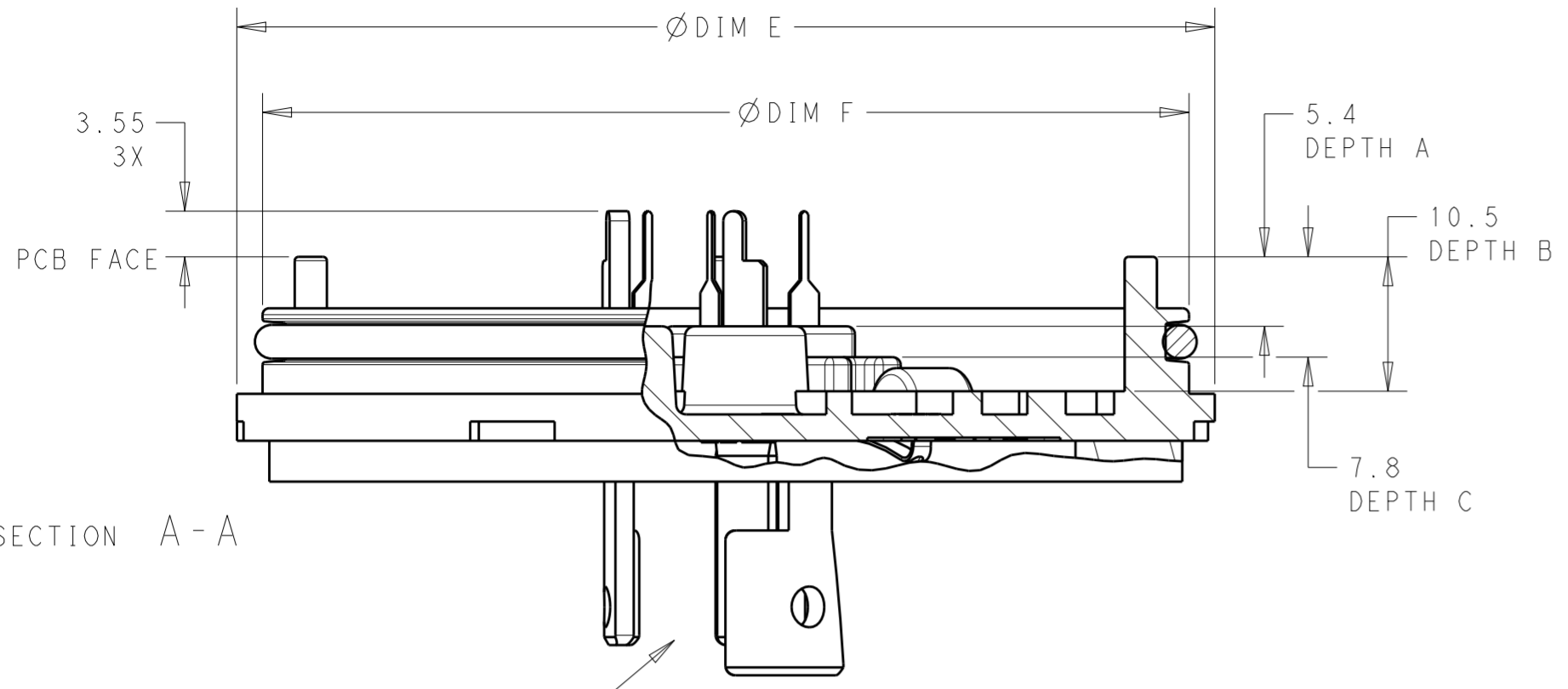


THIS DRAWING IS UNPUBLISHED. RELEASED FOR PUBLICATION 20  
 © COPYRIGHT 20 BY - ALL RIGHTS RESERVED.

REVISONS		DATE	DWN	APVD
P	LTR	DESCRIPTION		
A7		REVISED PER ECR-18-019587	14DEC2018	JS DD

NOTES:

- 1 MATERIALS:  
 HOUSING: PBT  
 DIMMING CONTACTS (QTY. 4): COPPER ALLOY  
 LINE VOLTAGE CONTACTS (QTY. 3): COPPER ALLOY  
 GASKET: VINYL/NITRILE FOAM  
 O-RING: SILICONE RUBBER
- 2 FINISH:  
 DIMMING CONTACTS: NICKEL UNDERPLATE ENTIRE  
 CONTACT 0.127 µm MIN THICK. SELECTIVE GOLD PLATE CONTACT  
 MATING AREA (MATING FACE SIDE ONLY) 0.76 µm MIN THICK.  
 MATTE TIN PLATE TAB ON BOTH SIDES 0.30 µm MIN THICK.  
 LINE VOLTAGE CONTACTS: MATTE TIN PLATE
- 3 MATING INTERFACE PER ANSI C136.41-2013.
- 4 ADHESIVE BACKED GASKET SUPPLIED BUT NOT INSTALLED
- 5 MATING CAP TE P/N: 2213748-X



2213730-1 SHOWN

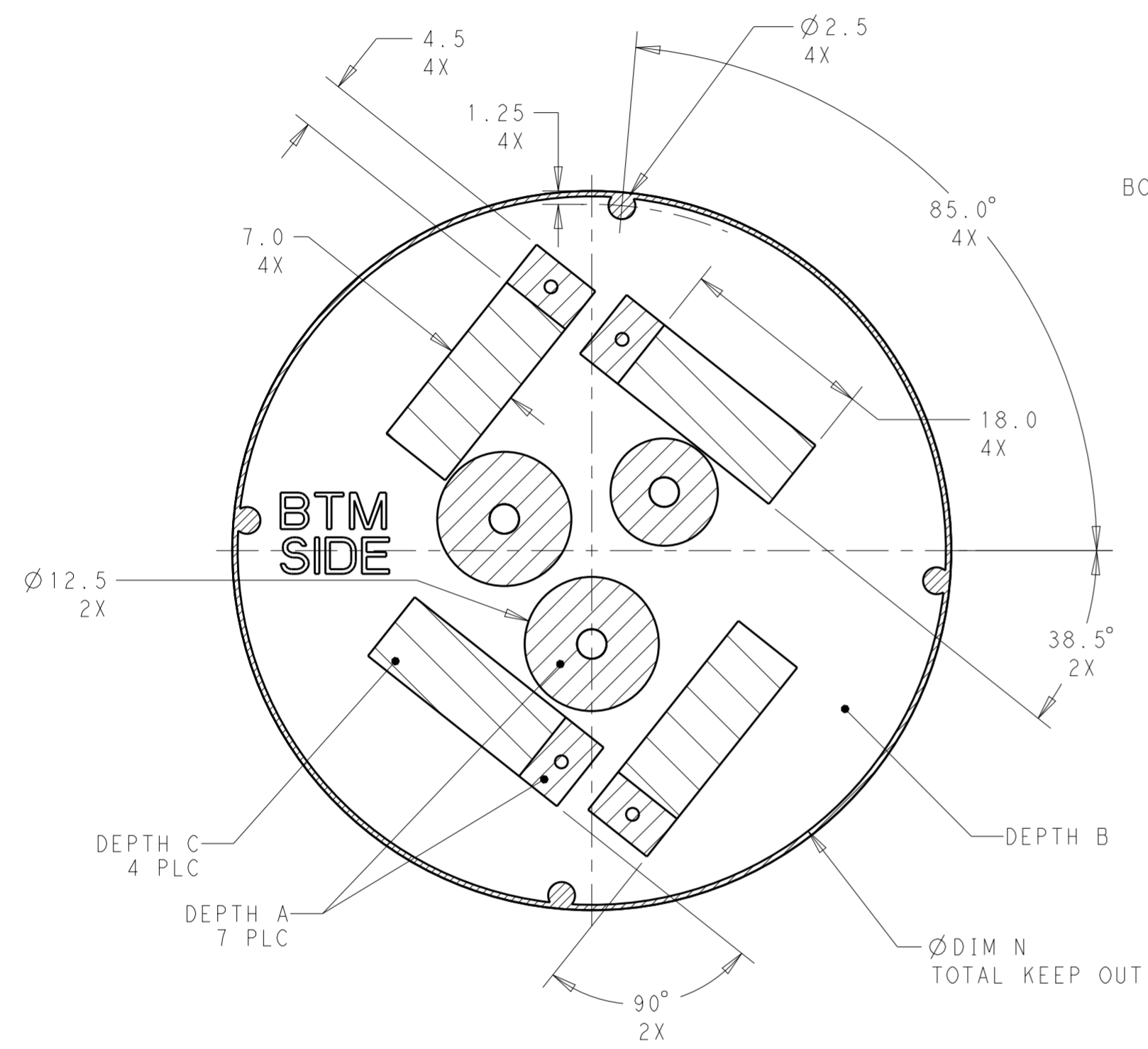
1-2213730-1 SHOWN

Ø77.00	Ø73.00	Ø66.00	Ø69.00	Ø72.00	Ø76.00	1-2213730-1
Ø77.00	Ø73.00	Ø66.00	Ø69.00	Ø72.00	Ø76.00	2213730-1
DIM Y	DIM X	DIM N	DIM M	DIM F	DIM E	PART NO.

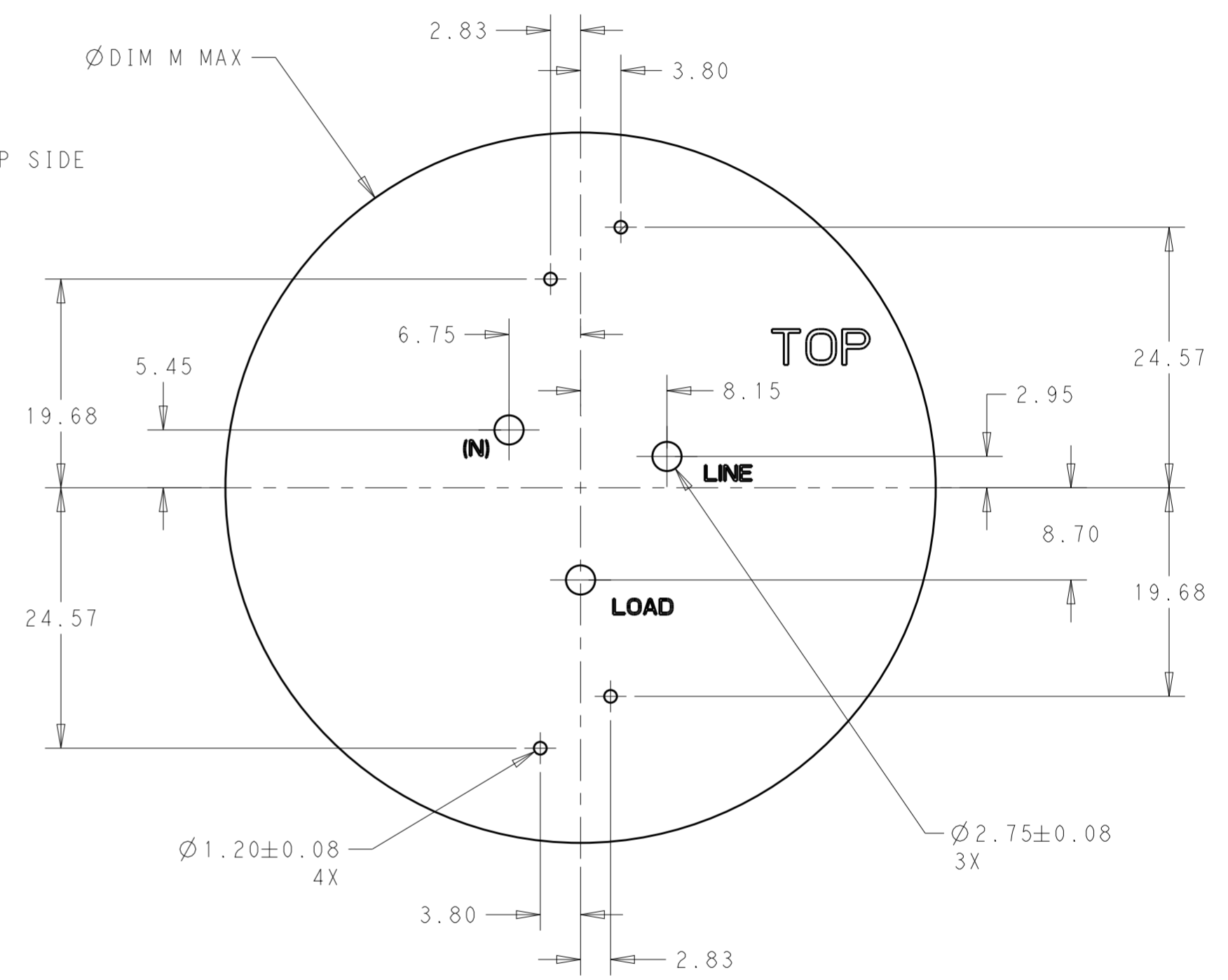
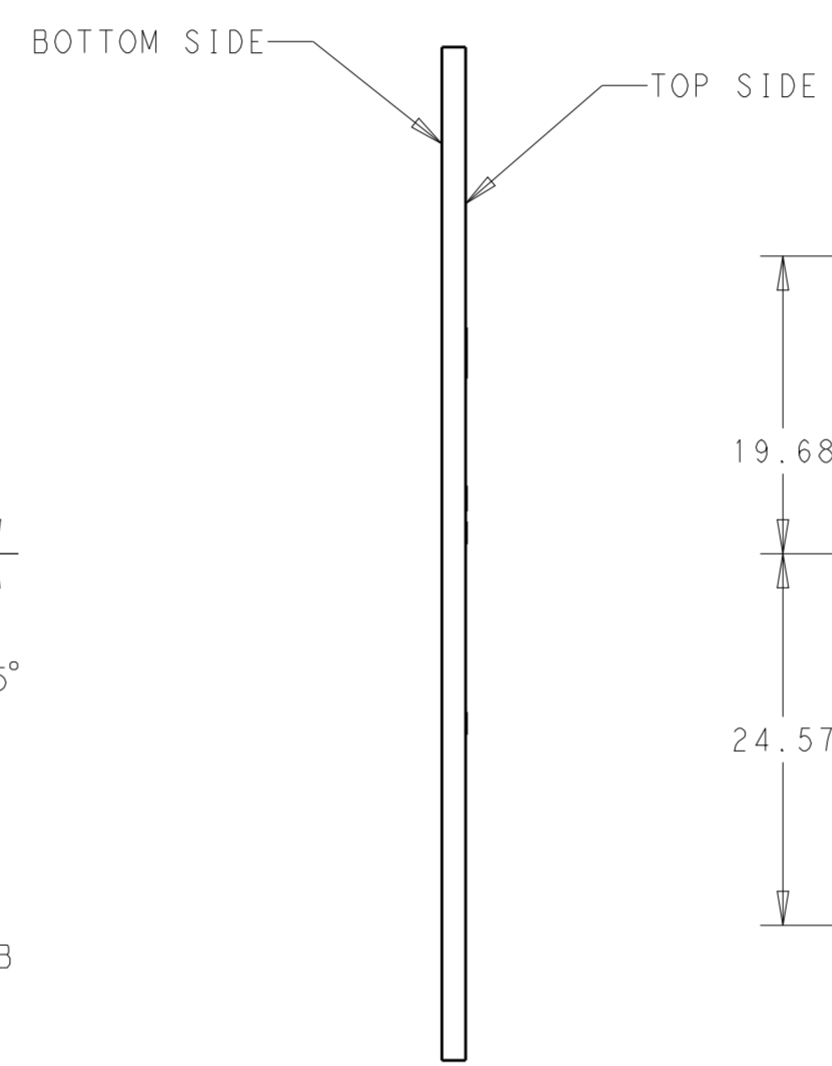
THIS DRAWING IS A CONTROLLED DOCUMENT.		DWN C DAILY 28SEP2015	TE Connectivity															
		CHK E HOWARD 28SEP2015																
DIMENSIONS: mm		TOLERANCES UNLESS OTHERWISE SPECIFIED:		NAME BASE ASSEMBLY, LIGHT CONTROLLER														
<table border="1"> <tr><td>0 PLC</td><td>±</td></tr> <tr><td>1 PLC</td><td>±0.2</td></tr> <tr><td>2 PLC</td><td>±0.13</td></tr> <tr><td>3 PLC</td><td>±</td></tr> <tr><td>4 PLC</td><td>±</td></tr> <tr><td>ANGLES</td><td>±3°</td></tr> <tr><td>FINISH</td><td></td></tr> </table>		0 PLC	±	1 PLC	±0.2	2 PLC	±0.13	3 PLC	±	4 PLC	±	ANGLES	±3°	FINISH		PRODUCT SPEC 108-32125	SIZE A2	CAGE CODE -
0 PLC	±																	
1 PLC	±0.2																	
2 PLC	±0.13																	
3 PLC	±																	
4 PLC	±																	
ANGLES	±3°																	
FINISH																		
MATERIAL		APPLICATION SPEC 114-32159	DRAWING NO. G-2213730	RESTRICTED TO -														
<table border="1"> <tr><td>1</td><td>-</td></tr> <tr><td>2</td><td>-</td></tr> </table>		1	-	2	-	WEIGHT -	SCALE 2:1	SHEET 1 OF 3										
1	-																	
2	-																	
CUSTOMER DRAWING		REV A7																

THIS DRAWING IS UNPUBLISHED. RELEASED FOR PUBLICATION 20  
 © COPYRIGHT 20 BY - ALL RIGHTS RESERVED.

REVISIONS							
LOC	DIST	P	LTR	DESCRIPTION	DATE	DWN	APVD
-	-	-	-	SEE SHEET 1	-	-	-



COMPONENT KEEP OUT AREAS

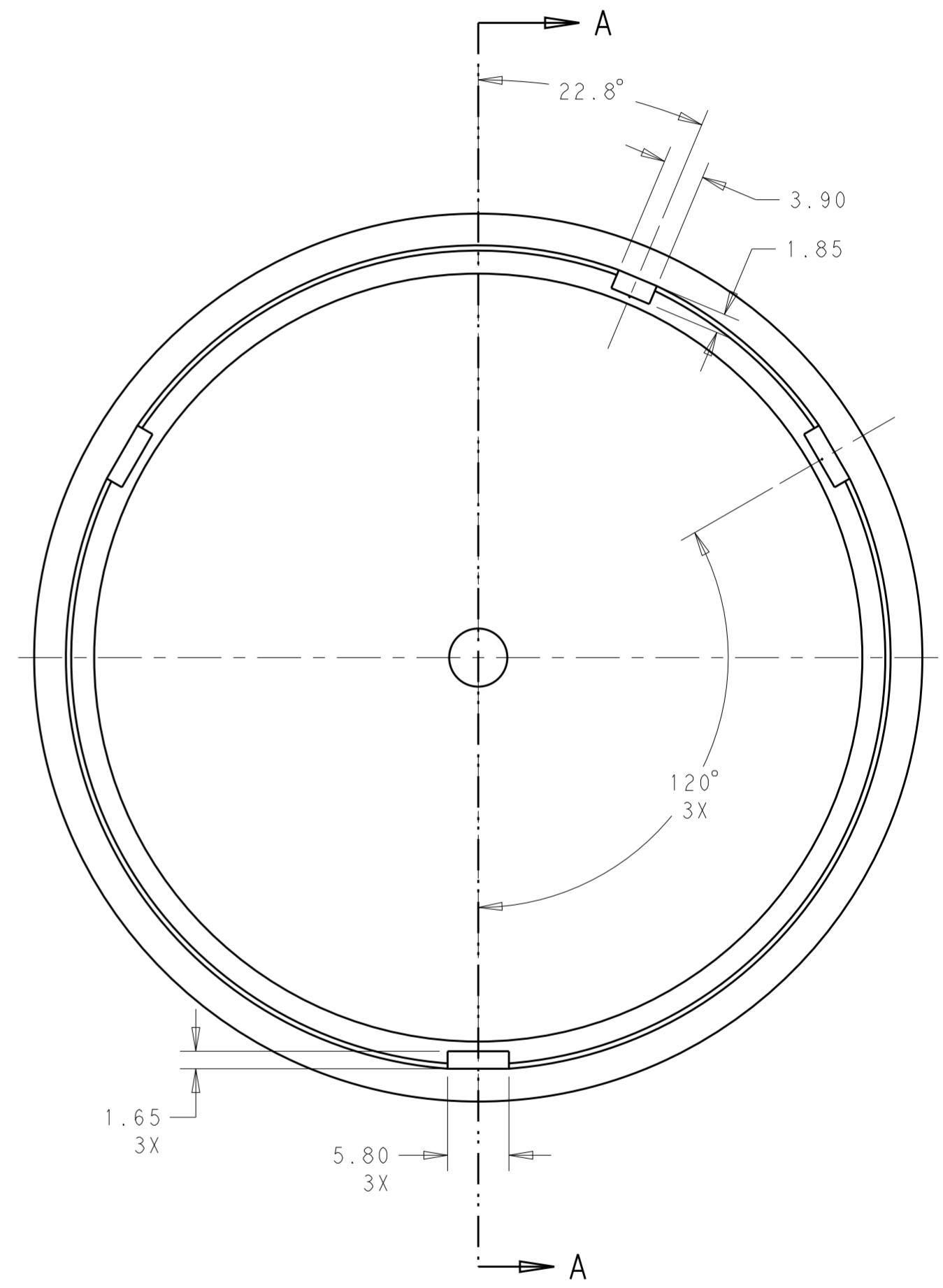
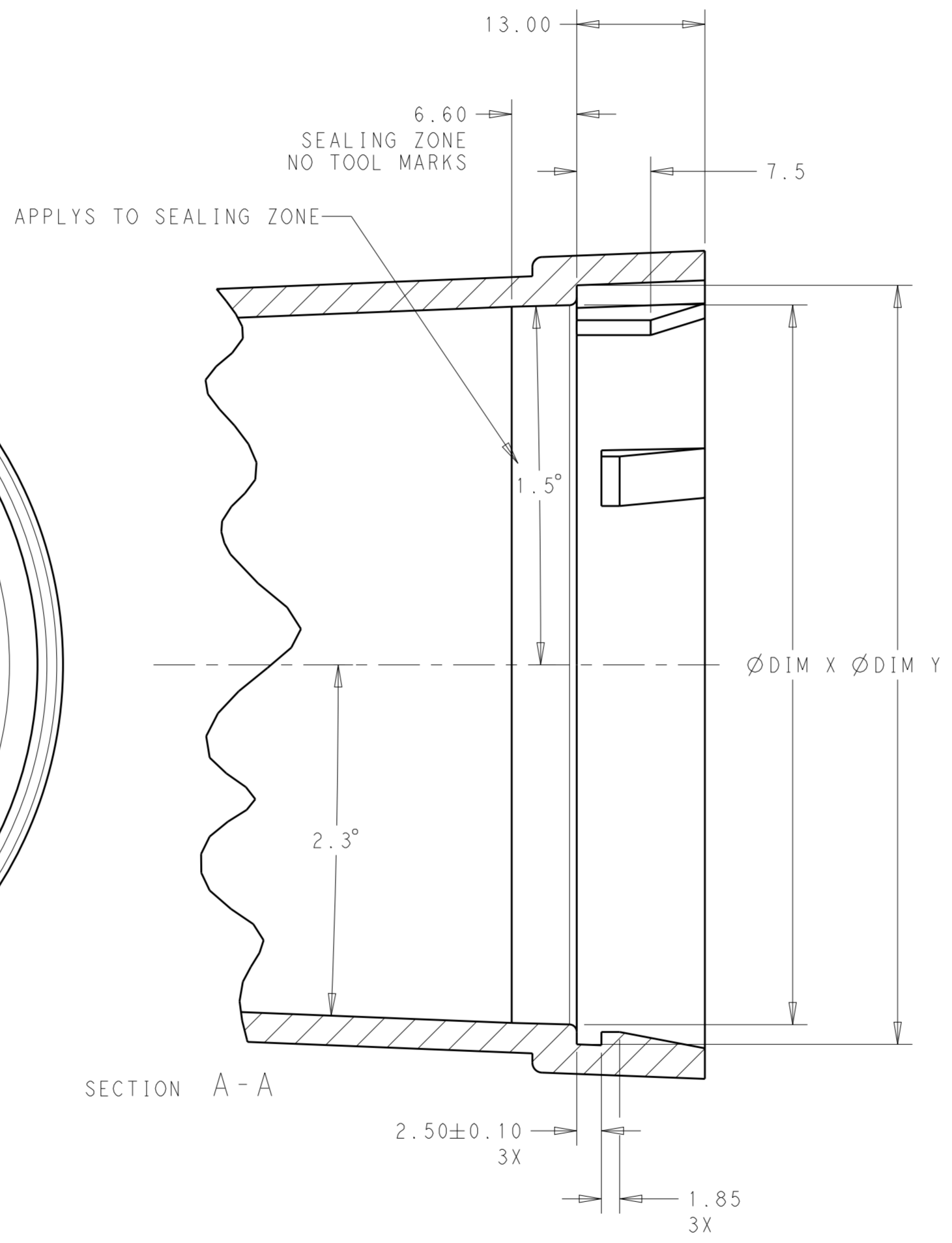
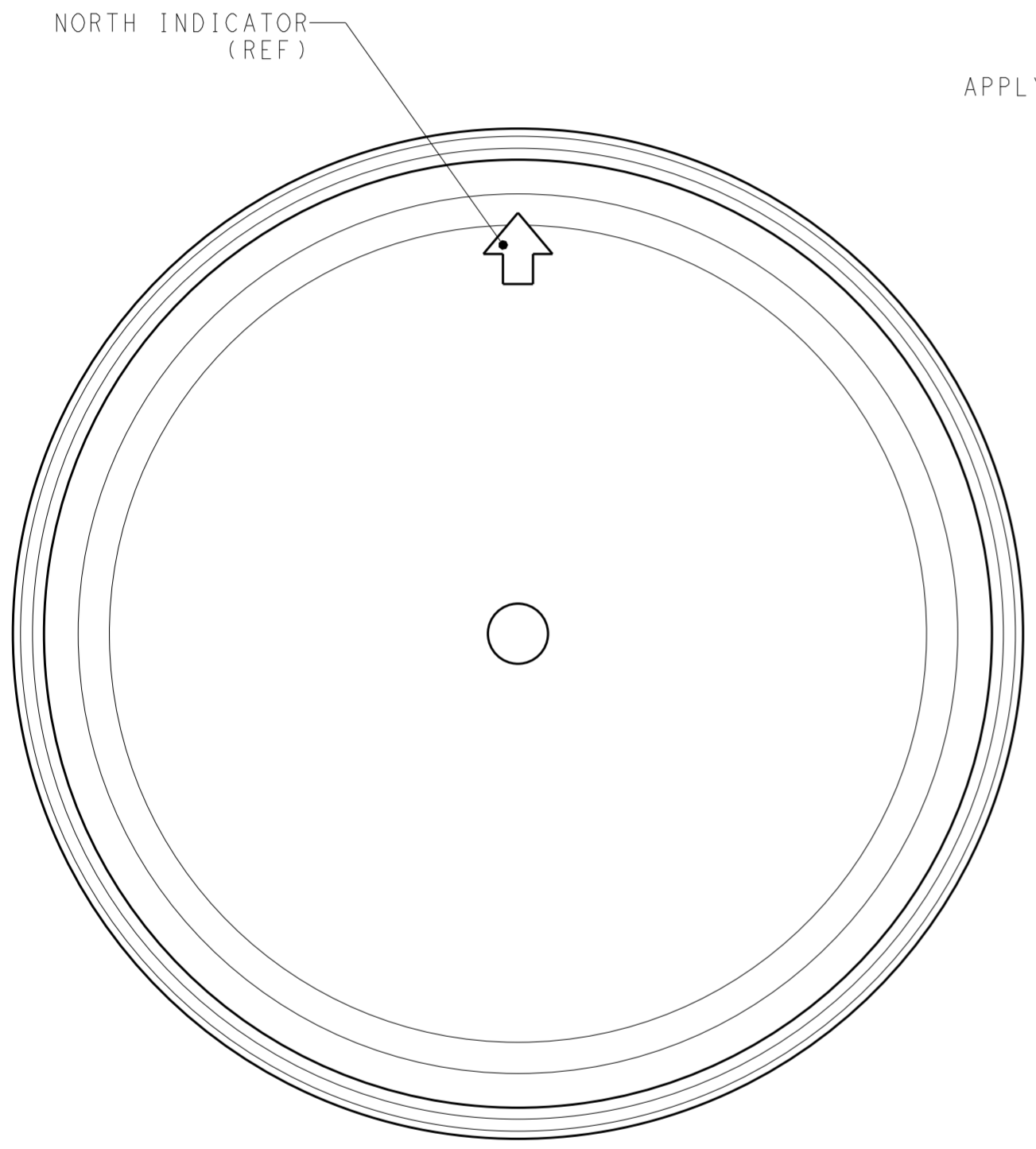


RECOMMENDED PCB SCALE 2:1

THIS DRAWING IS A CONTROLLED DOCUMENT.		DWN C. DAILY 28SEP2015	TE Connectivity	
		CHK E. HOWARD 28SEP2015		
DIMENSIONS: mm 		TOLERANCES UNLESS OTHERWISE SPECIFIED: 0 PLC ± 1 PLC ±0.2 2 PLC ±0.13 3 PLC ± 4 PLC ± ANGLES ±3° FINISH		NAME BASE ASSEMBLY, LIGHT CONTROLLER
MATERIAL		APVD	PRODUCT SPEC 108-32125	SIZE A2
		APPLICATION SPEC 114-32159	WEIGHT	CAGE CODE -
		CUSTOMER DRAWING	SCALE 2:1	DRAWING NO C-2213730
			SHEET 2 OF 3	RESTRICTED TO -
			REV A7	

THIS DRAWING IS UNPUBLISHED. RELEASED FOR PUBLICATION 20  
 © COPYRIGHT 20 BY - ALL RIGHTS RESERVED.

LOC		DIST		REVISIONS			
P	LTR	DESCRIPTION	DATE	DWN	APVD		
-	-	SEE SHEET 1	-	-	-		



MATING CAP DIMENSIONS  $\triangle 5$

THIS DRAWING IS A CONTROLLED DOCUMENT.		DWN C. DAILY 28SEP2015	<b>STE</b> TE Connectivity	
		CHK E. HOWARD 28SEP2015		
DIMENSIONS:	TOLERANCES UNLESS OTHERWISE SPECIFIED:	APVD -	NAME BASE ASSEMBLY, LIGHT CONTROLLER	
mm	0 PLC ± 1 PLC ±0.2 2 PLC ±0.13 3 PLC ± 4 PLC ±	PRODUCT SPEC 108-32125	SIZE A2	
MATERIAL	ANGLES ±3° FINISH	APPLICATION SPEC 114-32159	CAGE CODE -	DRAWING NO C-2213730
		WEIGHT -	RESTRICTED TO -	SCALE 2:1
		CUSTOMER DRAWING	SHEET 3	OF 3
			REV A7	